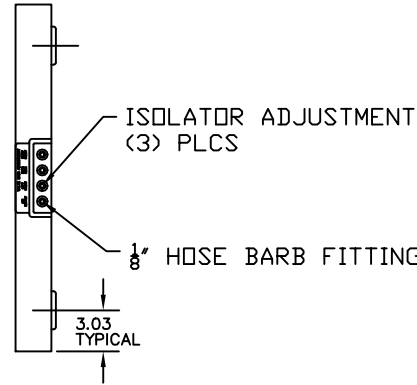
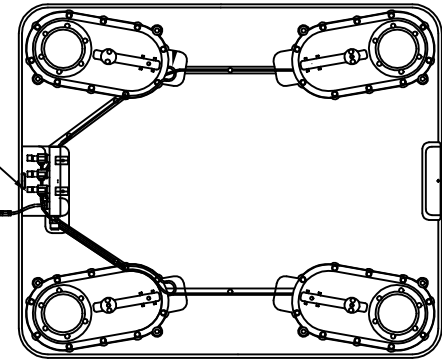


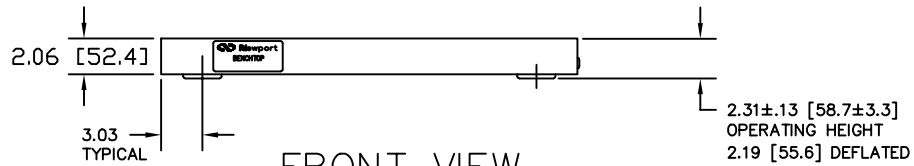
TOP VIEW



SIDE VIEW



BOTTOM VIEW



FRONT VIEW

MODEL	L IN [mm]	W IN [mm]	SURFACE MATERIAL
BT-1620	16.00 [406.4]	20.00 [508]	LAMINATE WITH FORMICA TOP
BT-2024	19.75 [501.7]	23.75 [603.2]	
BT-2424	23.75 [603.2]	23.75 [603.2]	
BT-2430	23.75 [603.2]	29.75 [755.7]	
BT-2436	23.75 [603.2]	35.75 [908.1]	

NOTES:

1. CLEANROOM OPTION HAS THE SAME OUTLINE AND DIMENSIONS.
2. DIMS ARE IN IN. DIMS IN [] ARE IN mm.