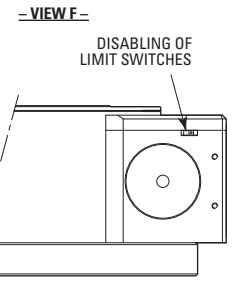
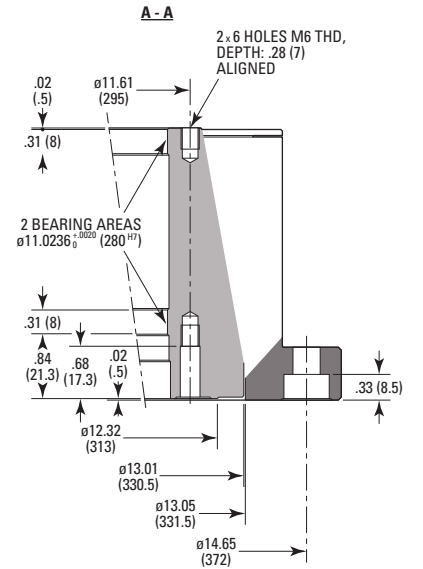
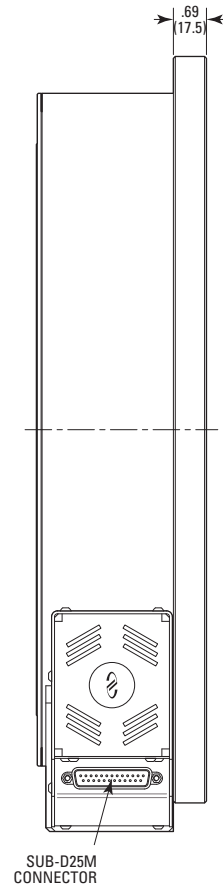
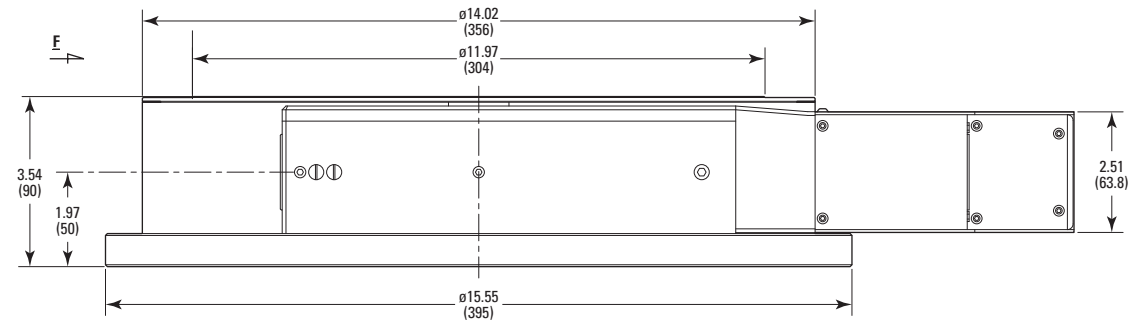
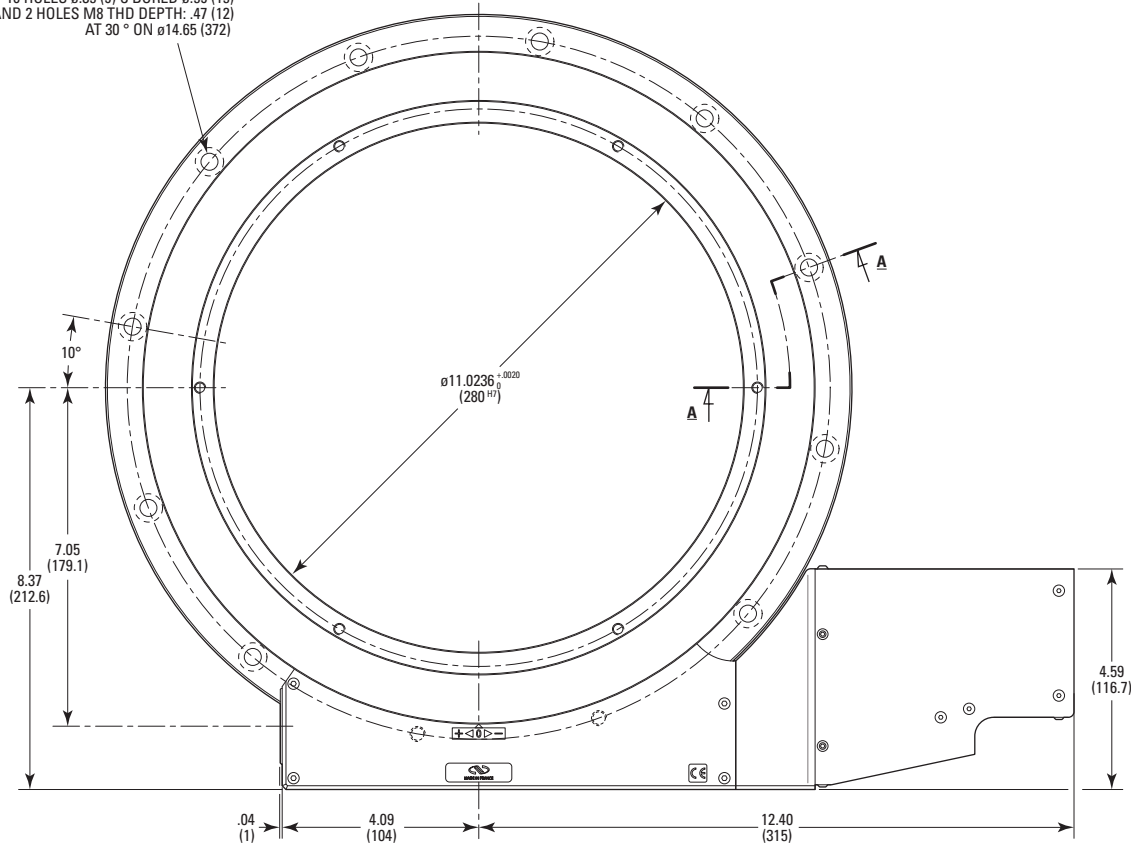


10 HOLES  $\phi$ .35 (9) C' BORED  $\phi$ .59 (15)  
AND 2 HOLES M8 THD DEPTH: .47 (12)  
AT 30° ON  $\phi$ 14.65 (372)



MODEL SHOWN: RV350BPP AND RV350CC

DIMENSIONS IN INCHES (AND MILLIMETERS)

