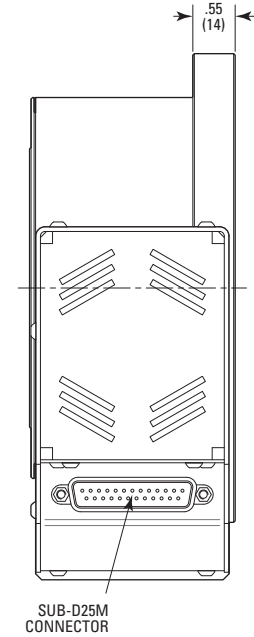
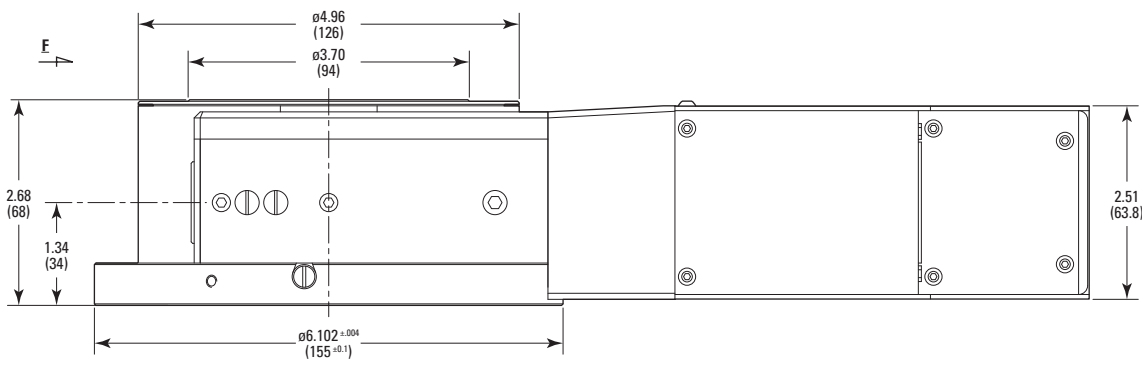
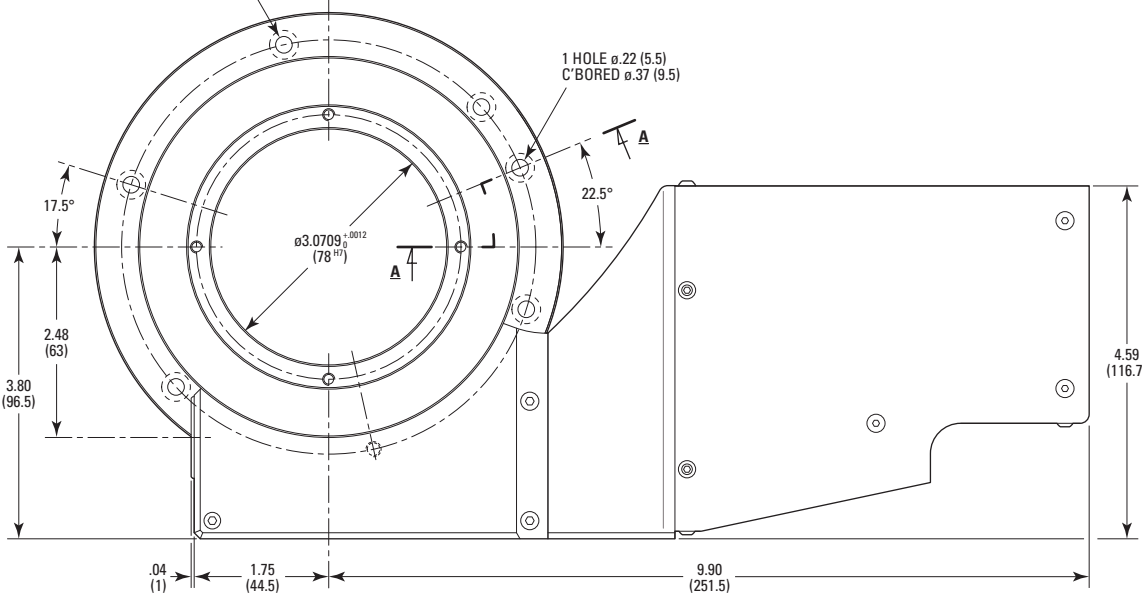
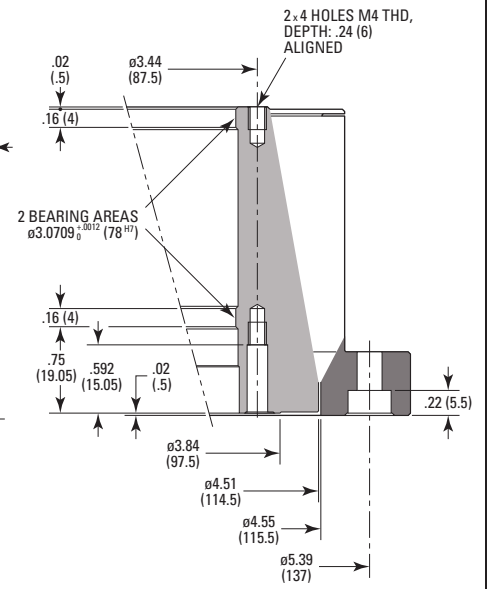


5 HOLES  $\phi .22$  (5.5) C'BORED  $\phi .37$  (9.5)  
AND 1 HOLE M5 THD DEPTH: .28 (7)  
AT 60° ON  $\phi 5.39$  (137)

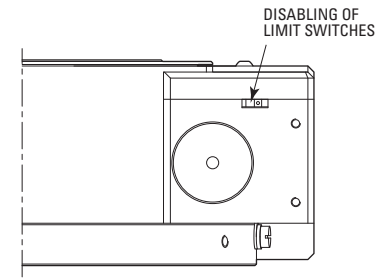
1 HOLE  $\phi .22$  (5.5)  
C'BORED  $\phi .37$  (9.5)



A-A



-VIEW F-



MODEL SHOWN: RV120PEBV6  
DIMENSIONS IN INCHES (AND MILLIMETERS)

