

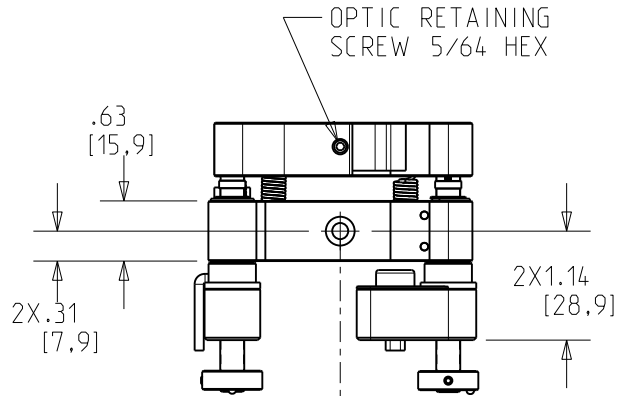
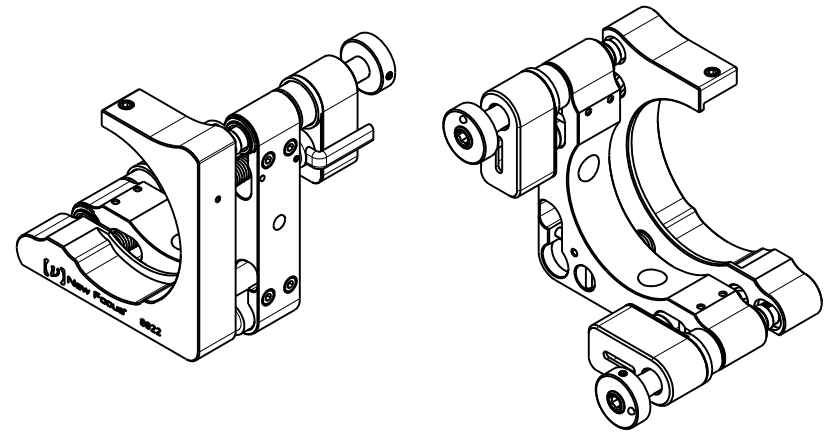


New Focus™

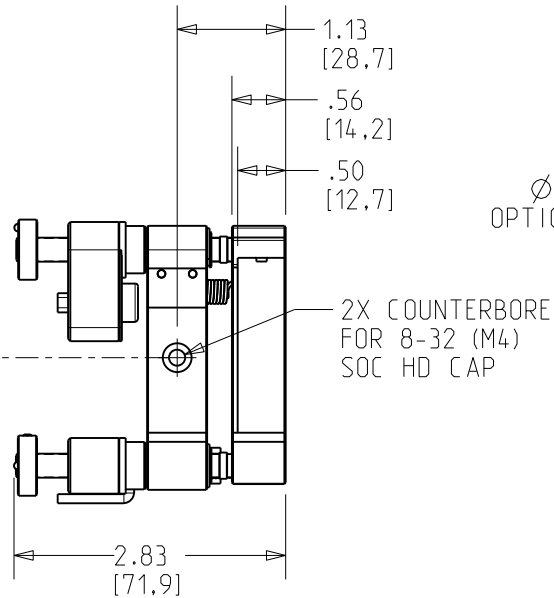
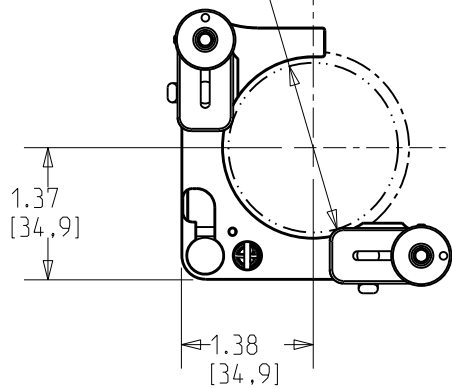
A Newport Corporation Brand

SCALE 1:2 | REV 2 | 8822, MOUNT, 2" CLEAR EDGE, MOTORIZED

©2009 NEWPORT CORP., ALL RIGHTS RESERVED.



Ø1.77 [44,9]
CLEAR APERTURE



Ø2.00 [50,8]
OPTIC DIAMETER

