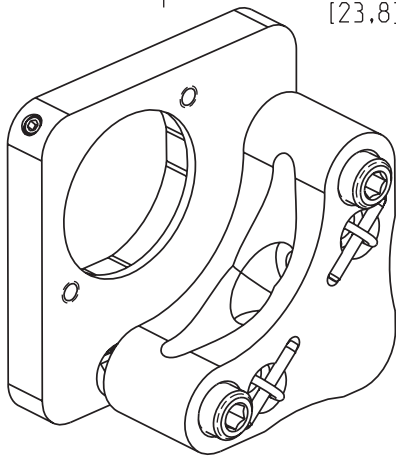


2X CLEARANCE HOLE FOR
2-56 [M2] SOC HD SCREW
□ Ø.17 [4.3] X DEPTH AS SHOWN

	DIM A
MIN	.45 [11.4]
MAX	.52 [13.2]



Unless otherwise noted, dimensions are in inches with metric dimensions in mm in brackets

 New Focus™