

# HILTI

## HDM 330/500

**Operating instructions**

**en**

**Mode d'emploi**

**fr**

**Manual de instrucciones**

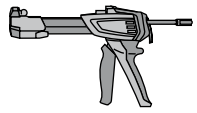
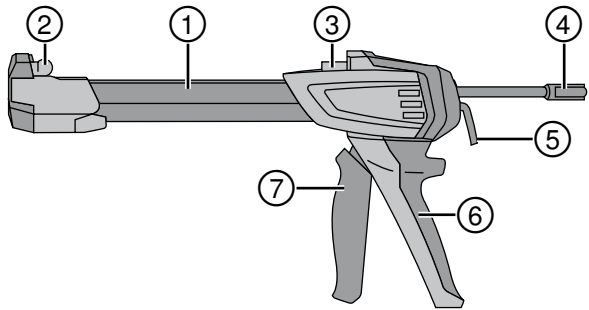
**es**

**Manual de instruções**

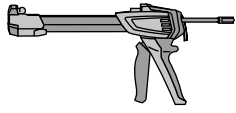
**pt**



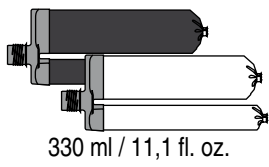
1



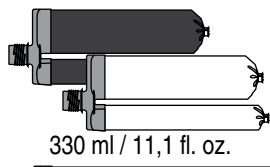
**HDM 330**



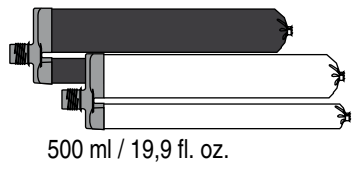
**HDM 500**



330 ml / 11,1 fl. oz.



330 ml / 11,1 fl. oz.



500 ml / 19,9 fl. oz.

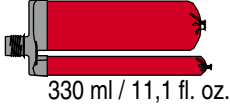


**HIT CR 330**

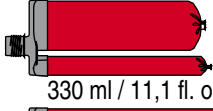
8



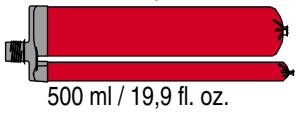
**HIT CR 500**



330 ml / 11,1 fl. oz.



330 ml / 11,1 fl. oz.



500 ml / 19,9 fl. oz.



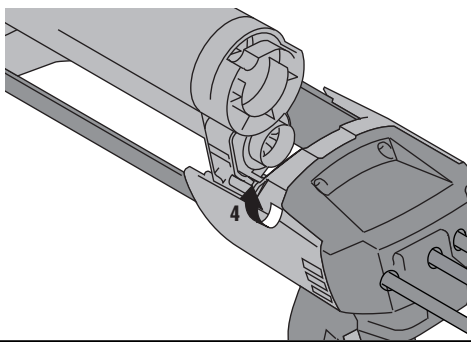
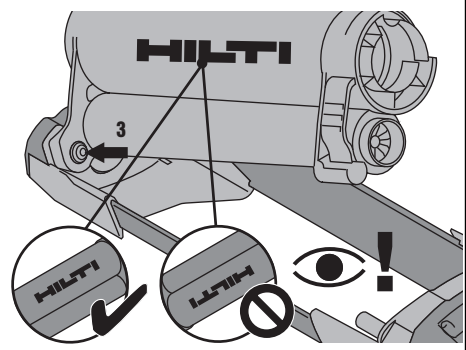
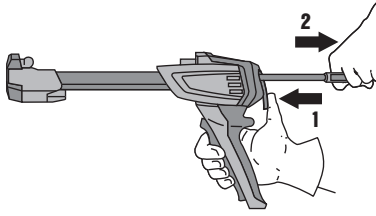
**HIT CR 330**

9

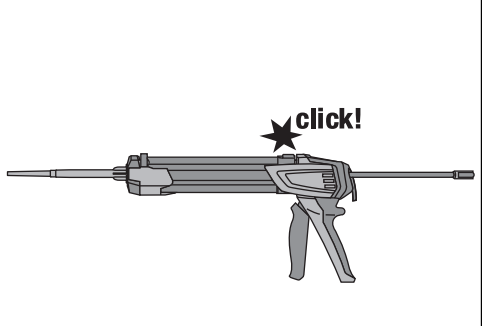
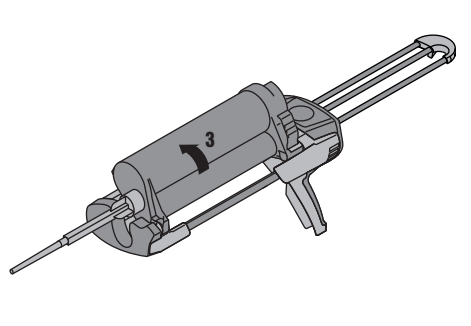
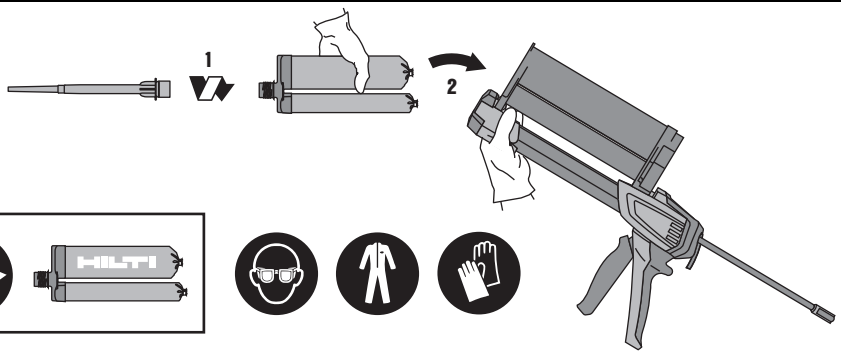


**HIT CR 500**

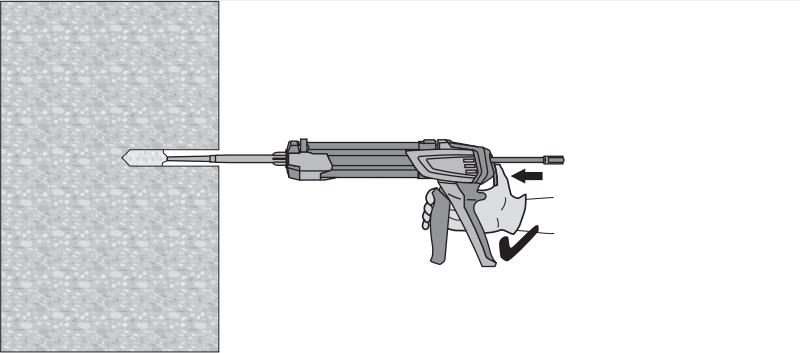
2



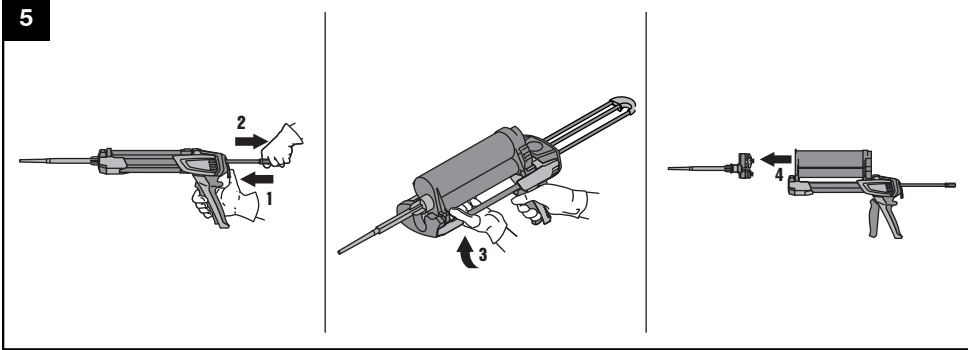
3



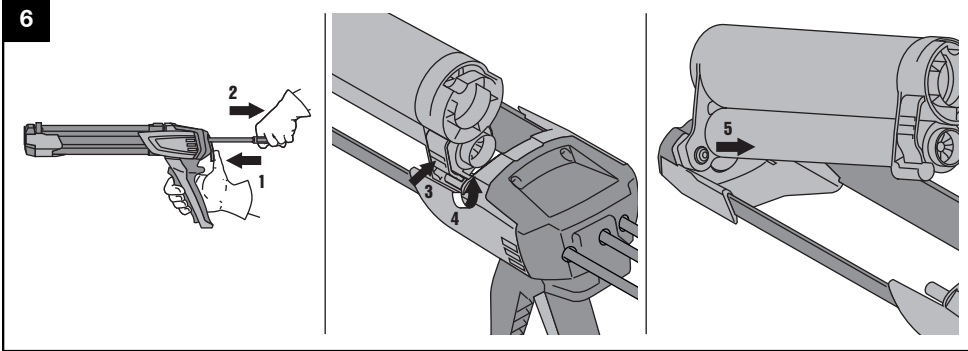
4



5



6



# ORIGINAL OPERATING INSTRUCTIONS

## HDM 330/500 dispenser

**It is essential that the operating instructions are read before the tool is operated for the first time.**

**Always keep these operating instructions together with the tool.**

**Ensure that the operating instructions are with the tool when it is given to other persons.**

Contents	Page
1 General information	1
2 Safety instructions	2
3 Description	2
4 Operation	3
5 Care and maintenance	3
6 Troubleshooting	4
7 Disposal	4
8 Manufacturer's warranty	5

**1** These numbers refer to the illustrations. You can find the illustrations at the beginning of the operating instructions.

In these operating instructions, the designation "the tool" always refers to the Hilti HDM 330 or HDM 500 manual dispenser.

### Parts and operating controls **1**

- 1 Cradle for foil pack holder
- 2 Front locating lug for fitting the foil pack holder
- 3 Rear locating lug for fitting the foil pack holder
- 4 Parallel piston rods with grip
- 5 Release button
- 6 Grip
- 7 Trigger for starting and controlling dispensing

### Accessories **1**

- 8 Foil pack holder, black
- 9 Foil pack holder, red

## 1 General information

### 1.1 Safety notices and their meaning

#### **DANGER**

Draws attention to imminent danger that will lead to serious bodily injury or fatality.

#### **WARNING**

Draws attention to a potentially dangerous situation that could lead to serious personal injury or fatality.

#### **CAUTION**

Draws attention to a potentially dangerous situation that could lead to slight personal injury or damage to the equipment or other property.

#### **NOTE**

Draws attention to an instruction or other useful information.

### 1.2 Explanation of the pictograms and other information

#### Warning signs



General warning

#### Obligation signs



Wear protective clothing



Wear protective glasses



Wear protective gloves



Read the operating instructions before use.

#### Symbols



National waste material recycling system

## 2 Safety instructions

**WARNING! Read all instructions!** Follow these safety instructions!

### 2.1 Work area safety

- a) Ensure that the workplace is well ventilated.
- b) Ensure that the workplace is well lit.
- c) **Keep work area clean and well lit.** Cluttered or dark areas invite accidents.
- d) **Keep children and other persons away from the area while the tool or appliance is in use.** Distractions can cause you to lose control.

### 2.2 Personal safety

**Stay alert, watch what you are doing and use common sense when operating the appliance. Do not use the appliance while tired or under the influence of drugs, alcohol or medication.** A moment of inattention while operating appliances may result in serious personal injury.

### 2.3 Power tool use and care

- a) **Operate the tool only as intended and when it is in faultless condition.**
- b) **Use only foil pack holders of a type approved for use with the tool.**

- c) **Do not use damaged foil pack holders or damaged foil packs.**
- d) **The tool, the cradle for the foil pack holders, the piston rods with pressure pieces and the foil pack holders must be clean and free from foreign matter.**
- e) **Maintain the tool carefully. Check for misalignment or binding of moving parts, breakage of parts and any other condition that may affect the tool's operation.**
- f) **Use the tool and accessories in accordance with these instructions and in the way specified for this special type of tool. Take the working conditions and the work to be performed into account.**
- g) **Do not attempt to open or disassemble the tool. Repairs may be carried out only by Hilti Service.**

### 2.4 Personal protective equipment

- a) **Wear personal protective equipment while the tool is in use: closely fitting protective glasses or face shield, protective gloves and protective clothing.** Wearing personal protective equipment reduces the risk of injury.
- b) **Persons in the immediate vicinity must also wear personal protective equipment while the tool is in use.**

## 3 Description

### 3.1 Use of the product as directed

Proper use can be ensured only when the instructions for use of the foil pack are also read and observed.

The tool is designed to dispense the contents of Hilti foil packs in a controlled operation.

The Hilti HDM 330 is intended exclusively for use with Hilti HIT CB 330 or HIT CR 330 foil pack holders and Hilti foil packs with a volume of 330 ml (11.1 fl.oz) (see illustration 1).

The Hilti HDM 500 is intended exclusively for use with Hilti HIT CB 500 or HIT CR 500 foil pack holders and Hilti foil packs with a volume of 500 ml (16.9 fl.oz) or 330 ml (11.1 fl. oz) (see illustration 1).

**Black foil pack holder:** Used to dispense Hilti mortars supplied in black or white foil packs.

**Red foil pack holder:** Used to dispense Hilti mortars supplied in red foil packs.

Use of third-party products in the tool is not permissible. The tool is designed for professional use and may be operated, serviced and maintained only by trained, authorized personnel. This personnel must be informed of any special hazards that may be encountered. Modification of the appliance or tampering with its parts is not permissible. The appliance and its ancillary equipment may present hazards when used incorrectly by untrained personnel or when used not as directed. Observe the national health and safety requirements.

### 3.2 Items supplied as standard

- 1 The appliance
- 1 Operating instructions
- 1 Foil pack holder, black (optional)
- 1 Foil pack holder, red (optional)

## 4 Operation

### CAUTION

Risk of pinching your fingers! Keep your hands clear of the cradle area when pivoting the foil pack holder into position.

### WARNING

Observe the information on the safety data sheets, on the packaging and in the instructions for use before using the product.

#### 4.1 Selecting and inserting the foil pack holder 1 2

### CAUTION

Check the foil pack holder for damage and/or soiling. Both pistons in the foil pack holder must move smoothly and easily in both directions over the full length of their travel. Damaged and/or badly soiled foil pack holders must be replaced.

Select the correct foil pack holder according to the color of the foil pack.

Black foil pack holder: BLACK or WHITE foil pack  
Red foil pack holder: RED foil pack

#### 4.2 Inserting the foil pack in the foil pack holder 3

### NOTE

Follow the instructions for use of the foil pack.

#### 4.3 Discarding the initial quantity of mortar dispensed

### WARNING

Never point the tool toward yourself or other persons.

### WARNING

The static mixer must always be fitted before dispensing mortar.

1. Pull the trigger repeatedly towards the grip until the foil pack opens and mortar is ejected from the mixing nozzle.
2. One stroke of the dispenser is achieved by pulling the trigger all the way to the grip.
3. Press the release button after the specified number of strokes.
4. Discard the initial quantity of mortar dispensed.
5. The tool is then ready to dispense ready-to-use mortar.

#### 4.4 Injecting mortar 4

### CAUTION

The tool / foil pack must not be under pressure when the mixing nozzle is changed.

### NOTE

Please refer to the instructions for use of the foil pack for further information about use of the mortar.

1. Pull the trigger fully toward the grip several times.
2. Press the release button after finishing dispensing or if the operation is interrupted.
3. Pressing the release button prevents further ejection or leakage of mortar.

#### 4.5 Removing the foil pack 5

#### 4.6 Removing the foil pack holder from the tool 6

## 5 Care and maintenance

### CAUTION

In order to avoid inadvertent ejection of mortar, remove the foil pack before beginning to clean the tool.

#### 5.1 Care of the tool

### CAUTION

Keep the tool, especially its grip surfaces, clean and free from oil and grease.

Clean the outside of the tool at regular intervals with a slightly damp cloth.

Lubricate the piston rods with oil when necessary. Mortar adhering to the tool or the foil pack holder must be cleaned off with a cloth before it hardens. Hardened mortar can be removed only by mechanical means. Take care to ensure that the tool is not damaged by cleaning. Do not use a spray, steam pressure cleaning equipment or running water for cleaning. Never dip or soak the tool or its parts in solvents. Check that the piston moves freely in the foil pack holder.

## 6 Troubleshooting

Fault	Possible cause	Remedy
The trigger cannot be pressed.	The foil pack holder has not fully engaged.	The foil pack holder must engage fully with an audible click.
	The mortar in the mixing nozzle has hardened.	Press the release button. Change the mixing nozzle.
	The advance mechanism is defective.	Replace the tool.
The foil pack does not open automatically.	The tool has reached the end of its life.	Replace the tool.
Trigger movement is very stiff.	The foil pack is too cold.	Raise the temperature of the foil pack (observe the instructions for use of the foil pack).
	The trigger pressure is too high for the tool.	Use the right tool for the job.
The foil pack holder cannot be pivoted and pushed all the way down into the tool.	The foil pack is not pushed all the way into the holder.	Push the foil pack into the holder as far as it will go.
	The piston rods are not pulled back fully.	Press the release button and pull the piston rods back as far as they will go.
The foil pack holder does not engage with an audible click.	The retaining lugs are dirty / clogged.	Clean the retaining lugs and engage the foil pack holder fully.
	The retaining lugs are defective.	Replace the foil pack holder. Contact Hilti Service if the problem persists.
No mortar flows out of the mixing nozzle.	The mortar in the mixing nozzle has hardened.	Unscrew the hardened mixing nozzle. Screw on a new mixing nozzle.

## 7 Disposal

### CAUTION

Improper disposal of the equipment may have serious consequences: The burning of plastic components generates toxic fumes which may present a health hazard. Careless disposal may permit unauthorized and improper use of the equipment. This may result in serious personal injury, injury to third parties and pollution of the environment.

### CAUTION

Dispose of completely emptied foil packs in accordance with the applicable regulations.



Most of the materials from which Hilti tools or appliances are manufactured can be recycled. The materials must be correctly separated before they can be recycled. In many countries, Hilti has already made arrangements for taking back old tools and appliances for recycling. Ask Hilti customer service or your Hilti representative for further information. For information about disposing of full, partly-used and completely empty foil packs, please refer to the instructions for use of the product or the applicable safety data sheets.



## 8 Manufacturer's warranty

Please contact your local Hilti representative if you have questions about the warranty conditions.



Hilti Corporation

LI-9494 Schaan

Tel.: +423/234 21 11

Fax: +423/234 29 65

[www.hilti.com](http://www.hilti.com)

Hilti = registered trademark of Hilti Corp., Schaan  
Pos. 3 | 20141209



2101963