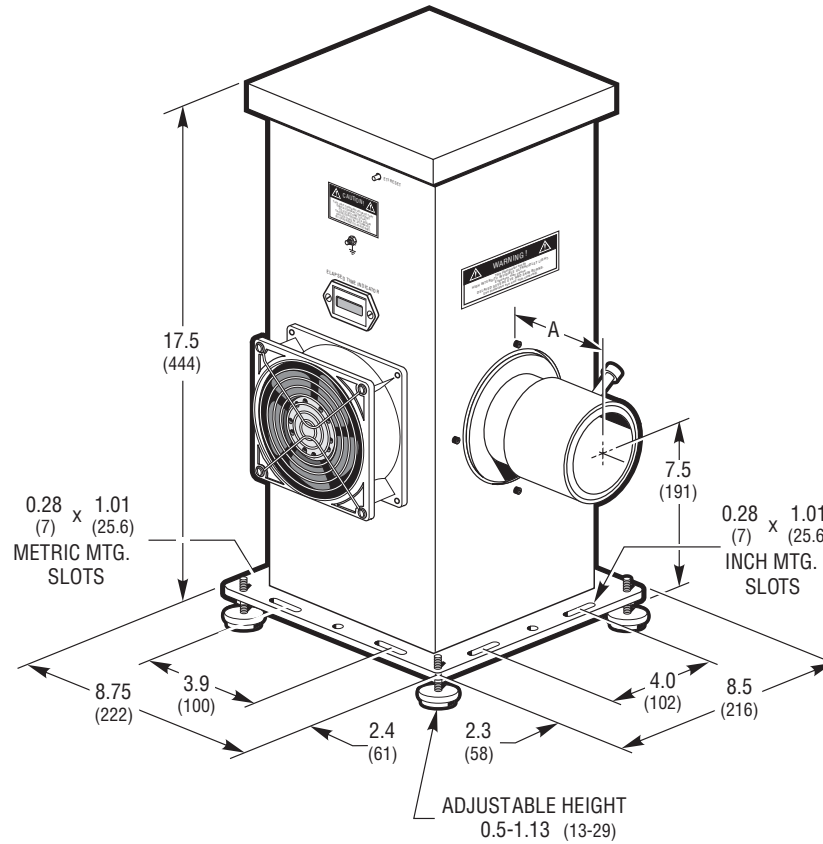


66885/6  
600 - 1000 WATT  
QTH LAMP HOUSINGS



| MODEL | SIZE SERIES | A         |
|-------|-------------|-----------|
| 66885 | 2 INCH      | 2.63 (67) |
| 66886 | 3 INCH      | 3.63 (92) |