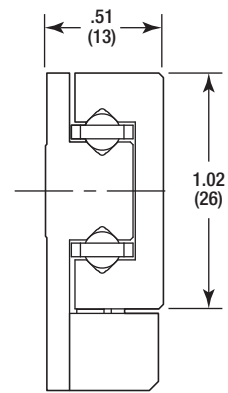
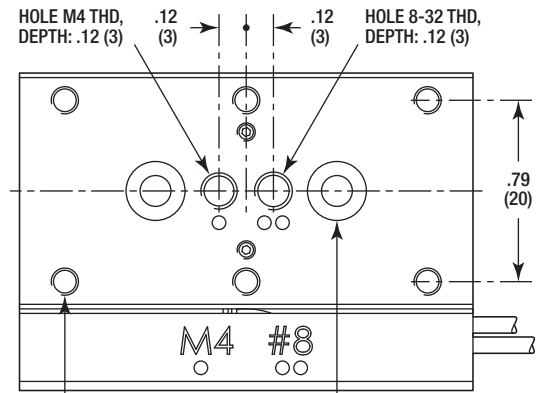


HOLE 8-32 THD,
DEPTH: .24 (6)

HOLE M4 THD,
DEPTH: .24 (6)



MODEL SHOWN: AG-LS25-27P
DIMENSIONS IN INCHES (AND MILLIMETERS)



6 HOLES M3 THD
.79 (20) SPACING,
DEPTH: .14 (3.5)

2 HOLES C'BORED
FOR M3 SCREW
.79 (20) SPACING