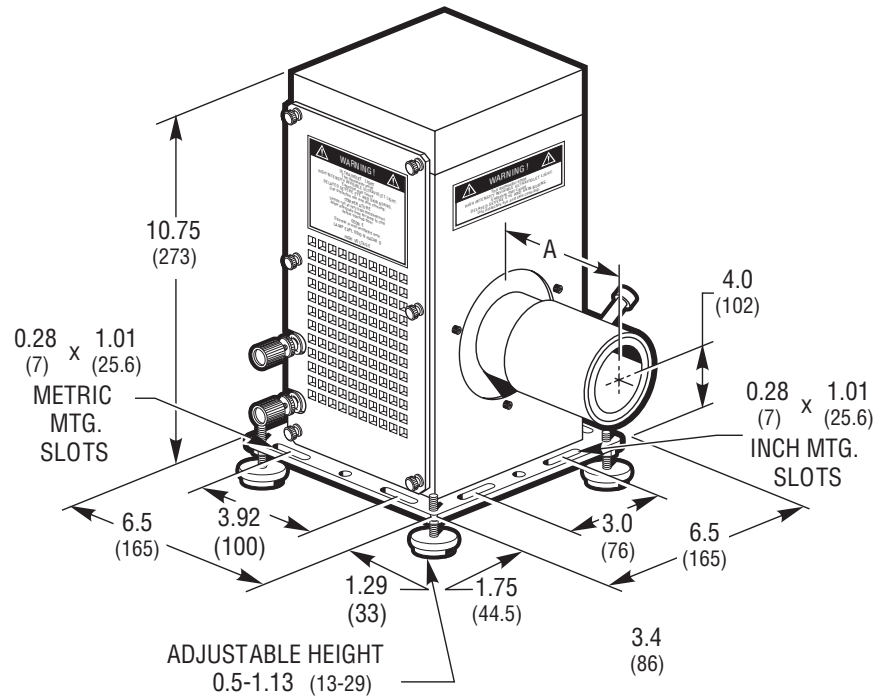


66881/2/4
 10 - 250 WATT
 QTH LAMP HOUSINGS



MODEL	SIZE SERIES	A
66881/2/4	1.5 INCH	3.4 (86)