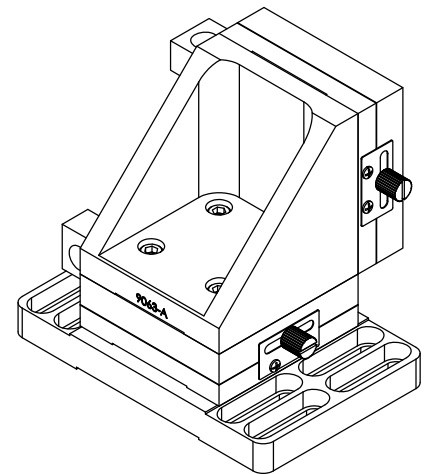
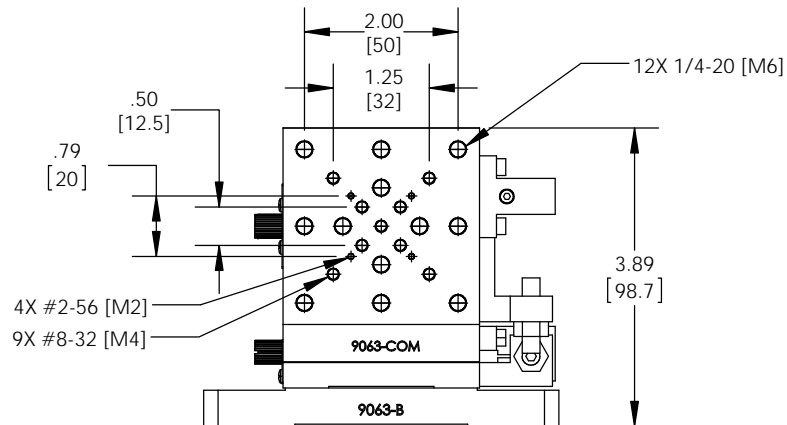
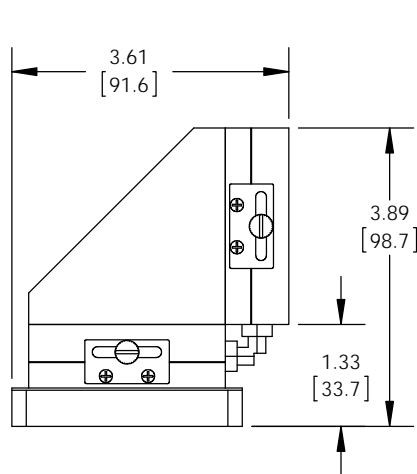
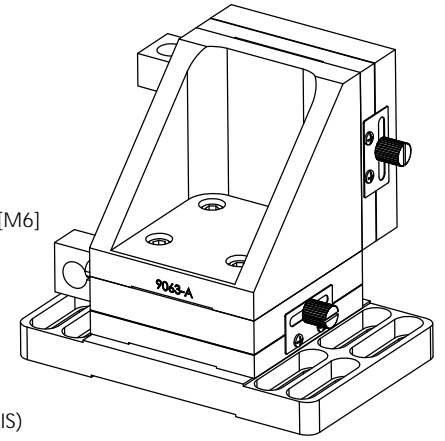
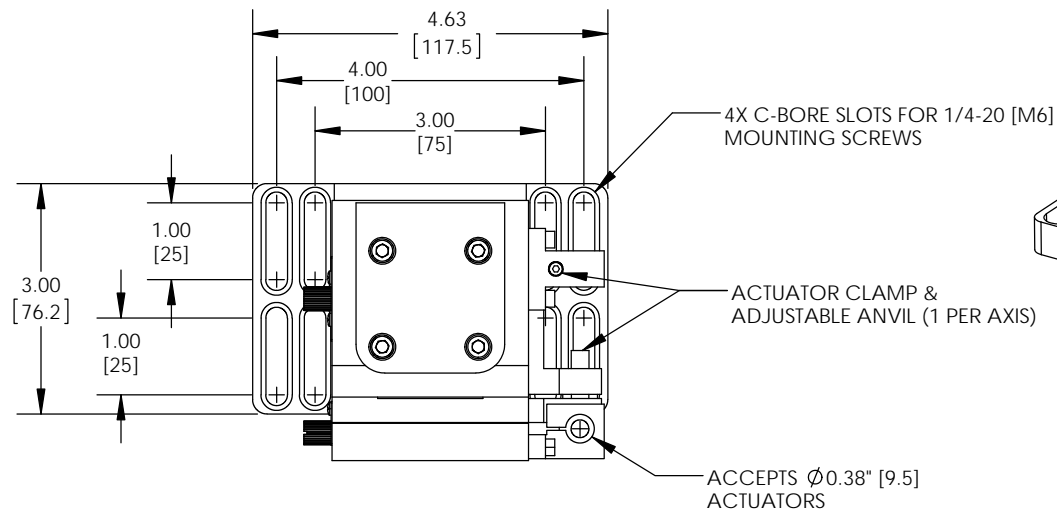
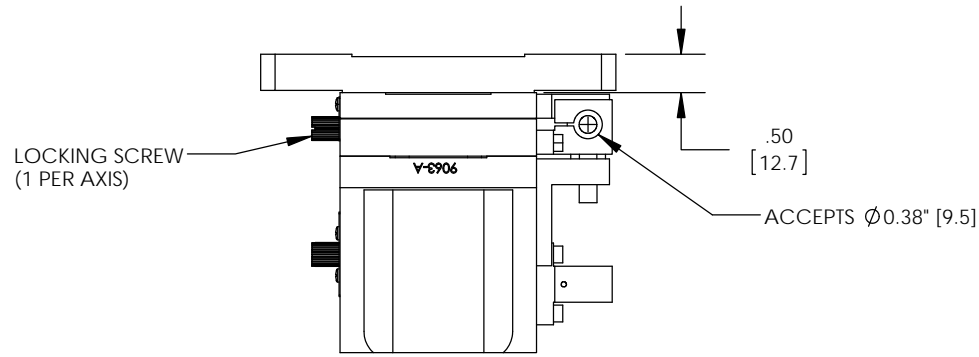


MODEL # 9063-XZ [9062-XZ-M]

Gothic-Arch XZ Translation Stage,
65 x 65mm Platform, 1/4-20, [M6] &
#8-32, [M4] Threads.



THIRD ANGLE
PROJECTION