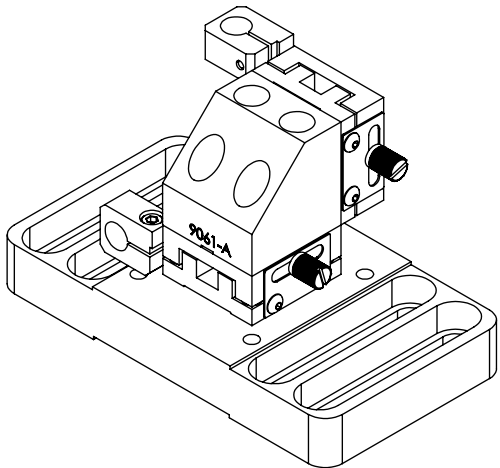
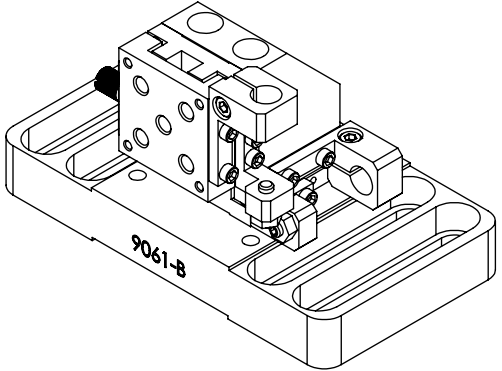
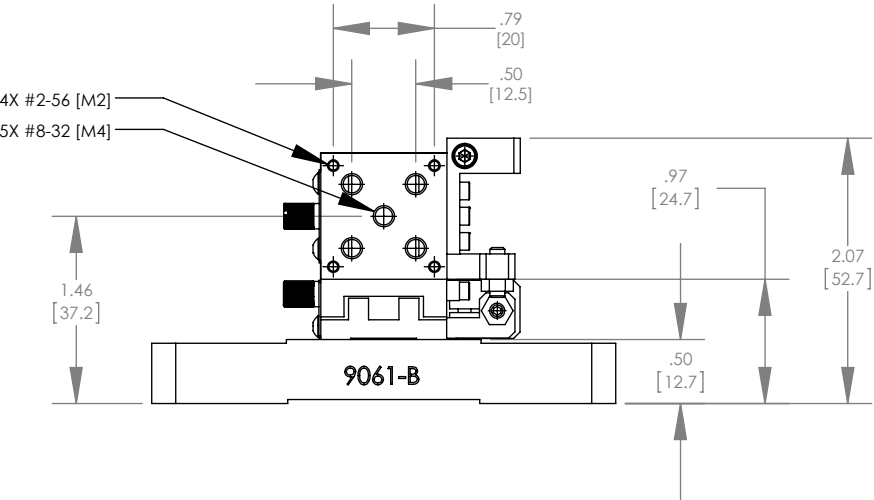
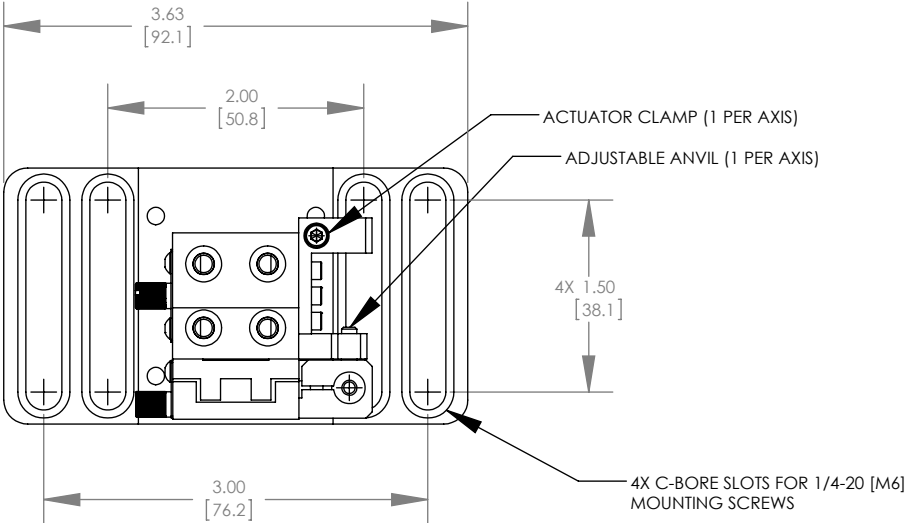
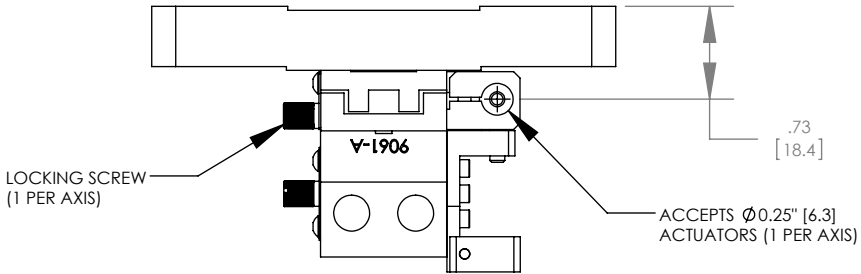


MODEL # 9061-XZ (9061-XZ-M)

Gothic-Arch XZ Translation Stage,
25 x 25mm Platform, #8-32 (M4)



THIRD ANGLE
PROJECTION