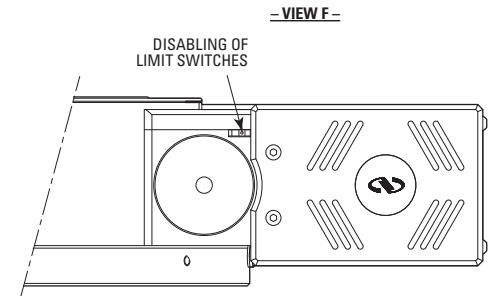
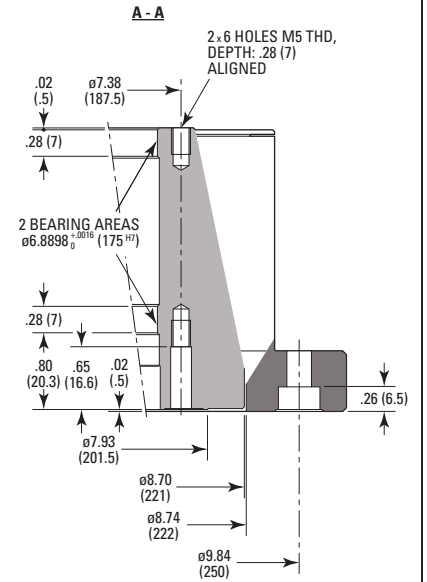
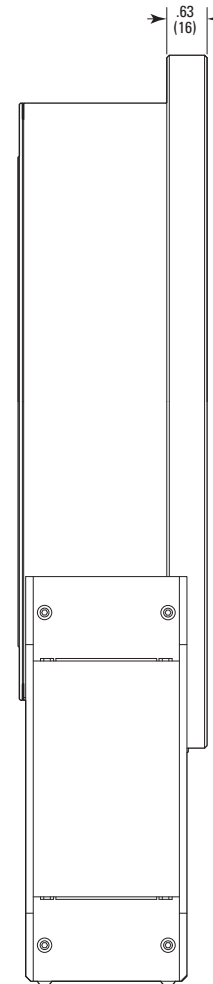
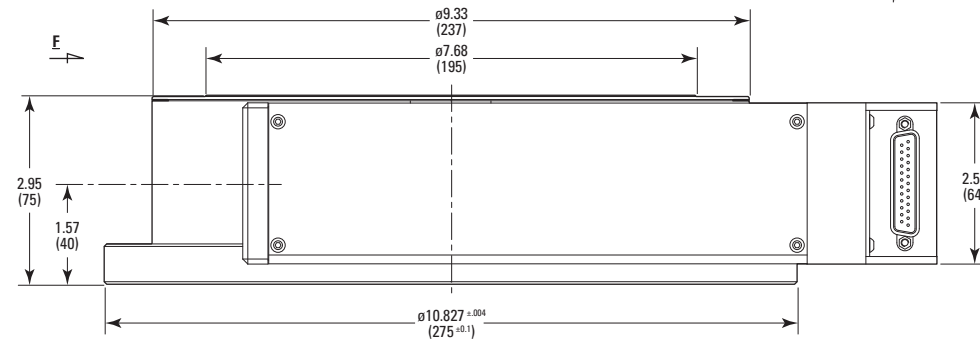
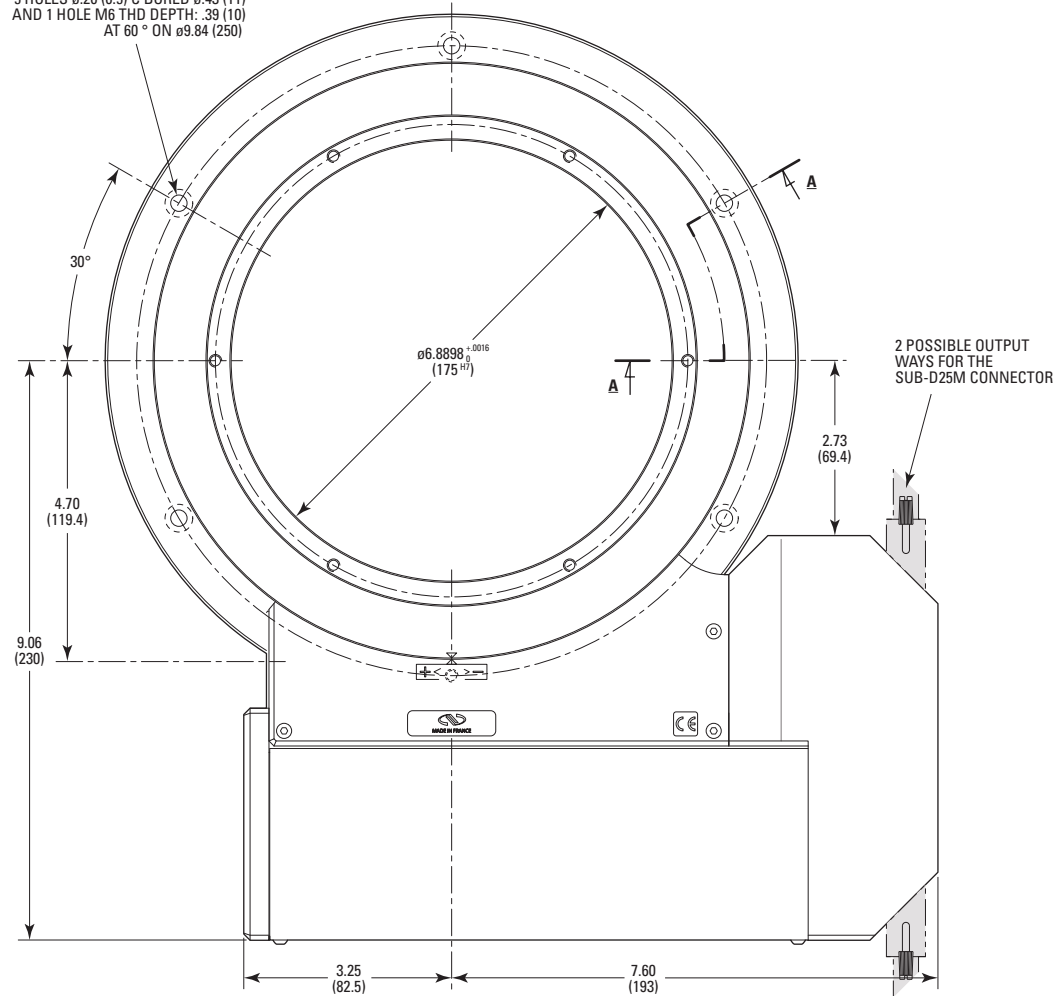
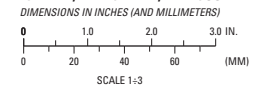


5 HOLES  $\phi .26$  (6.5) C'BORED  $\phi .43$  (11)  
AND 1 HOLE M6 THD DEPTH: .39 (10)  
AT 60° ON  $\phi 9.84$  (250)



MODEL SHOWN: RV240BPP-F, RV240BPE-F, RV240CC-F AND RV240CCHL-F



Newport