

User's Guide

Precision Pulsed Current Source LDP-3830



Newport Corporation
31950 Frontage Road Bozeman, MT, USA

PHONE: 1-800-459-9459 1-406-556-2481 FAX: 1-406-586-9405 EMAIL: sales@ilxlightwave.com
Complete listings for all global office locations are available online at www.newport.com/contact

www.newport.com

Newport Corporation, Irvine and Santa Clara, California and Franklin, Massachusetts; Evry and Beaune-La-Rolande, France; Stahnsdorf, Germany and Wuxi, China have all been certified compliant with ISO 9001 by the British Standards Institution.

Table of Contents

Safety and Warranty Information	v
Safety Information and the Manual.....	v
General Safety Considerations.....	v
Safety Symbols	vi
Safety Marking Symbols.....	vii
Warranty.....	vii
Limitations	vii
Returning an Instrument.....	viii
Claims for Shipping Damage.....	viii
Comments, Suggestions, and Problems	ix
Chapter 1 : Introduction and Specifications	1
Safety Considerations	1
Initial Inspection.....	1
Product Overview	2
Options and Accessories.....	3
Specifications	4
Chapter 2 : Operations	5
Installation	5
Grounding Requirements	5
AC Line Power Requirements	5
Power up Sequence	5
Firmware Upgradeability.....	6
GPIB Communication	6
USB Communication	6
Tilt Foot Adjustment.....	6
Rack Mounting.....	6
Laser Connections.....	6
Current Monitor on the LPB-386.....	7
Interlock Connections	7
Connecting to the Laser	7

Front Panel Operation	8
Display	8
Adjust Knob and Button	8
Setup.....	9
Pulse	9
General Operating Procedures.....	11
Warm-Up and Environmental Considerations.....	11
Pulse Mode Operation	11
Pulse Current Limit	12
Chapter 3 : Remote Operation	13
Remote Operation	13
Basic GPIB Concepts	13
Data and Interface Messages	13
Talkers, Listeners, and Controllers	13
GPIB Cable Connections	14
Reading the GPIB Address.....	14
Changing the GPIB Address.....	14
Basic USB concepts	14
Changing Operation from Local to Remote.....	14
GPIB vs. USB Communication	15
Syntax Summary.....	15
Program Headers.....	15
488.2 Common Program Headers	15
Command Tree Structure	16
Header Tree Traversal.....	16
Separators	17
Parameters	17
Coupled Commands	18
Status Reporting.....	20
Status Byte.....	20
Event Registers.....	21
Standard Event Status Register.....	21
QUESTionable Status	22
OPERation Status.....	22
Command Timing	22
Sequential / Overlapped Commands	22
Query Response Timing	23
Chapter 4 : Command Reference	25
Remote Command Reference Summary.....	25
Command Reference	27

Chapter 5 : Troubleshooting	41
Troubleshooting Guide	42
Error Messages	44
Error Code Tables	44

Safety and Warranty Information

- ✓ Details about cautionary symbols
- ✓ Safety markings used on the instrument
- ✓ Information about the warranty
- ✓ Customer service contact information

Safety Information and the Manual

Throughout this manual, you will see the words **Caution** and **Warning** indicating potentially dangerous or hazardous situations which, if not avoided, could result in death, serious or minor injury, or damage to the product. Specifically:



Caution indicates a potentially hazardous situation which can result in minor or moderate injury or damage to the product or equipment.



Warning indicates a potentially dangerous situation which can result in serious injury or death.



Visible and/or invisible laser radiation. Avoid direct exposure to the beam.

General Safety Considerations

If any of the following conditions exist, or are even suspected, do not use the instrument until safe operation can be verified by trained service personnel:

- Visible damage
- Severe transport stress
- Prolonged storage under adverse conditions
- Failure to perform intended measurements or functions

If necessary, return the instrument to ILX Lightwave, or authorized local ILX Lightwave distributor, for service or repair to ensure that safety features are maintained.

All instruments returned to ILX Lightwave are required to have a Return Authorization Number assigned by an official representative of ILX Lightwave Corporation. See **Returning an Instrument** for more information.

Safety Symbols

This section describes the safety symbols and classifications.

Technical specifications including electrical ratings and weight are included within the manual. See the Table of Contents to locate the specifications and other product information. The following classifications are standard across all ILX Lightwave products:

- Indoor use only
- Ordinary Protection: This product is NOT protected against the harmful ingress of moisture.
- Class I Equipment (grounded type)
- Mains supply voltage fluctuations are not to exceed $\pm 10\%$ of the nominal supply voltage.
- Pollution Degree II
- Installation (overvoltage) Category II for transient overvoltages
- Maximum Relative Humidity: $< 80\%$ RH, non-condensing
- Operating temperature range of $0\text{ }^{\circ}\text{C}$ to $40\text{ }^{\circ}\text{C}$
- Storage and transportation temperature of $-40\text{ }^{\circ}\text{C}$ to $70\text{ }^{\circ}\text{C}$
- Maximum altitude: 3000 m (9843 ft.)
- This equipment is suitable for continuous operation.

Safety Marking Symbols

This section provides a description of the safety marking symbols that appear on the instrument. These symbols provide information about potentially dangerous situations which can result in death, injury, or damage to the instrument and other components.



Caution, refer to manual



Earth ground Terminal



Alternating current



Visible and/or invisible laser radiation



Caution, risk of electric shock



Protective Conductor Terminal



Caution, hot surface



Frame or chassis terminal



On: in position of bistable push control.
The slash (/) only denotes that mains are on



Off: Out position of a bistable push control.
The circle (O) only denotes that mains are off.

Warranty

ILX LIGHTWAVE CORPORATION warrants this instrument to be free from defects in material and workmanship for a period of one year from date of shipment. During the warranty period, ILX will repair or replace the unit, at our option, without charge.

Limitations

This warranty does not apply to fuses, lamps, defects caused by abuse, modifications, or to use of the product for which it was not intended.

This warranty is in lieu of all other warranties, expressed or implied, including any implied warranty of merchantability or fitness for any particular purpose. ILX Lightwave Corporation shall not be liable for any incidental, special, or consequential damages.

If a problem occurs, please contact ILX Lightwave Corporation with the instrument's serial number, and thoroughly describe the nature of the problem.

Returning an Instrument

If an instrument is to be shipped to ILX Lightwave for repair or service, be sure to:

- Obtain a Return Authorization number (RA) from ILX Customer Service.
- Attach a tag to the instrument identifying the owner and indicating the required service or repair. Include the instrument serial number from the rear panel of the instrument.
- Attach the anti-static protective caps that were shipped with the instrument and place the instrument in a protective anti-static bag.
- Place the instrument in the original packing container with at least 3 inches (7.5 cm) of compressible packaging material. Shipping damage is not covered by this warranty.
- Secure the packing box with fiber reinforced strapping tape or metal bands.
- Send the instrument, transportation pre-paid, to ILX Lightwave. Clearly write the return authorization number on the outside of the box and on the shipping paperwork. ILX Lightwave recommends you insure the shipment.
- If the original shipping container is not available, place your instrument in a container with at least 3 inches (7.5 cm) of compressible packaging material on all sides.

Repairs are made and the instrument returned transportation pre-paid. Repairs are warranted for the remainder of the original warranty or for 90 days, whichever is greater.

Claims for Shipping Damage

When you receive the instrument, inspect it immediately for any damage or shortages on the packing list. If the instrument is damaged, file a claim with the carrier. The factory will supply you with a quotation for estimated costs of repair. You must negotiate and settle with the carrier for the amount of damage.

Comments, Suggestions, and Problems

To ensure that you get the most out of your ILX Lightwave product, we ask that you direct any product operation or service related questions or comments to ILX Lightwave Customer Support. You may contact us in whatever way is most convenient:

Phone (800) 459-9459 or (406) 586-1244

Fax (406) 586-9405

On the web at: ilx.custhelp.com

Or mail to:

ILX Lightwave Corporation

31950 Frontage Road

Bozeman, Montana, U.S.A 59771

www.newport.com/ilxlightwave

When you contact us, please have the following information:

- ✓ Model Number
- ✓ Serial Number
- ✓ End-user Name
- ✓ Company
- ✓ Phone
- ✓ Fax
- ✓ Description of what is connected to the ILX Lightwave instrument
- ✓ Description of the problem

If ILX Lightwave determines that a return to the factory is necessary, you are issued a Return Authorization (RA) number. Please mark this number on the outside of the shipping box.

You or your shipping service is responsible for any shipping damage when returning the instrument to ILX Lightwave; ILX recommends you insure the shipment. If the original shipping container is not available, place your instrument in a container with at least 3 inches (7.5 cm) of compressible packaging material on all sides.

We look forward to serving you even better in the future!

Chapter 1 :

Introduction and Specifications

This chapter is an introduction to the LDP-3830 Precision Pulsed Current Source.

- ✓ Safety considerations and instructions
- ✓ Product overview and theory of operation
- ✓ Options and accessories
- ✓ Specifications

Safety Considerations



If any of the following symptoms exist, or are even suspected, remove the LDP-3830 from service. Do not use the LDP-3830 until trained service personnel can verify safe operation.

- **Visible damage**
- **Severe transport stress**
- **Prolonged storage under adverse conditions**
- **Failure to perform intended measurements or functions**

If necessary, return the LDP-3830 to ILX Lightwave for service and repair to ensure that safety features are maintained.

Initial Inspection

When you receive your LDP-3830 Precision Pulsed Current Source verify that the following items were shipped with the instrument

- LDP-3830 Precision Pulsed Current Source
- LPB-386 LDP-3830 Pulse Board
- CC-385 Pulse Interconnect Cable
- LDP-3830 Manual
- Power Cord
- Shipping Kit

Verify that the line voltage marked on the rear panel matches the line voltage intended to power the unit.

Product Overview

The LDP-3830 Precision Pulsed Current Source was designed for applications requiring fast, repeatable current pulses up to 5A with a compliance voltage of 20V. To provide the required pulse performance, an external pulse driver board, the LPB-386, is included in the initial system purchase. The LPB-386 is required to operate the LDP-3830. Pulse parameters such as pulse width, duty cycle, and frequency are programmable from the front panel or through the GPIB or USB interface. The current source can be operated in three modes, constant duty cycle, constant frequency and external trigger, which allows adjustment of the pulse width while maintaining the respective control mode. Laser diode protection features include programmable current limit, output shorting relay, AC line filters and double shielded transformers to help suppress AC line transients. Testing and characterization can be automated with the 3830 through the GPIB/IEEE-488.1 or USB 2.0 interface. For basic system integration without an automated program, a trigger in/out can be used to control pulses and initiate corresponding measurements.

- Pulsed current output up to 5A
- 20V compliance voltage
- Adjustable pulse width from 25 ns to 1 μ s
- Adjustable duty cycle from 0.01% to 5.00%
- Pulse trigger in/out
- Current monitor connection
- Laser diode protection including current limits, transient protection, and shorting relay
- Safety interlocks (compatible with temperature controller over-temperature output)
- USB and GPIB computer interfaces



Figure 1.1 – LDP-3830 Front Panel



Figure 1.2 – LDP-3830 Rear Panel

Options and Accessories

Options and accessories available for the LDP-3830 Precision Pulsed Current Source include the following:

Model / Part Number	Description
LPB-386	LDP-3830 Pulse Board
CC-385	Pulse Interconnect Cable
LPC-388	Current Monitor Cable
RM-144	Single Rack Mount Kit
RM-145	Dual Rack Mount Kit

Specifications

PULSE CURRENT OUTPUT

Range:	0.00 to 5.00A
Resolution:	0.01A
Accuracy:	$\pm(0.05A + 1\%$ of setpoint)
Pulse Amplitude Repeatability: ¹	$<(0.005A + 0.5\%$ of setpoint)
Compliance Voltage:	20V
Overshoot: ²	$<5\%$
Output:	Floating

PULSE CURRENT LIMIT

Range:	0.00 - 5.50A
Resolution:	0.01A
Accuracy Limit:	$\pm(0.05A + 1\%$ of setpoint)

PULSE WIDTH PARAMETERS

Range:	25 ns to 1 μ s
Resolution:	1 ns
Accuracy:	$\pm(2$ ns + 1% of setpoint)
Repeatability: ¹	± 0.15 ns
Rise/Fall Time: ²	<10 ns

PULSE REPETITION INTERVAL (PRI)

Range Internal:	500 ns to 1 ms
Range External: ⁵	500 ns to single shot
Resolution:	10 ns: PRI <10 μ s 40 ns: PRI <100 μ s 350 ns: PRI <1 ms
Accuracy:	$\pm 0.2\%$ of set point

DUTY CYCLE

Range:	0.01% to 5.00%
Resolution: ³	0.1% typical
Accuracy: ³	$<1\%$ typical

MEASUREMENT (DISPLAY)

Current Range:	0.00 - 5.00 A
Current Resolution:	0.01 A
Current Accuracy:	$\pm(0.05$ A + 1% of reading)

TRIGGER IN

Type:	TTL rising edge
Connector:	BNC
Delay:	Adjustable
Set Point Resolution:	10 ns
Jitter:	10 ns
Pulse Width:	>100 ns

TRIGGER OUT

Type:	TTL
Connector:	BNC
Delay:	Adjustable
Set Point Resolution:	10 ns
Jitter:	1 ns
Pulse Width: ⁶	25% PRI up to 12.5 μ s

EXTERNAL MONITOR (LPB-386)

Connector:	SMB
Output Impedance:	50 Ω
Current Measurement Ratio:	2 A/V

LASER DIODE PROTECTION

Output Shorting Relay LPB-386:	Normally closed
Pulse Current Limit:	Adjustable, redundant hardware
Transients: Operational, 1 kV EFT / Surge, AC Power Failure / Brown Out	$<5\%$ amplitude increase $<5\%$ pulse width change $<5\%$ duty cycle change

INTERLOCK INPUT

Interlock 1:	Normally open, close to enable output
Interlock 2:	TTL, weak internal pull up, normally high, pull low to disable

GENERAL (LDP-3830)

Power Requirements:	100 to 240 VAC, 50/60 Hz
Size (HxWxD):	102 mm x 216 mm x 356 mm (4.0" x 8.5" x 14.0")
Weight:	3.80 kg; 7.45 lbs.
Operating Temperature:	+10°C to 40°C
Storage Temperature:	-40°C to +70°C
Humidity:	$<85\%$
Regulatory:	CE certified
Interface:	GPIO IEEE488.1, USB 2.0

GENERAL (LPB-386)

Size (HxWxD):	76 mm x 102 mm x 38 mm (3.0" x 4.0" x 1.5")
Weight:	0.42 kg; 0.91 lbs.
Operating Temperature:	+10°C to 40°C
Storage Temperature:	-40°C to +70°C
Humidity:	$<85\%$
Regulatory:	CE certified

NOTES

Specifications are for a one hour warm up.

1. Repeatability is measured as the standard deviation over 100 samples at 50% of amplitude.
2. Measured for set points above 0.6A. Dependant on device forward voltage and parallel capacitance. See TN 3830-1 Pulsed Performance of the LDP-3830 for additional information pulse overshoot.
3. Duty cycle resolution and accuracy is limited by the PRI and pulse width resolution and accuracy.
4. Dependant on device forward voltage and lead inductance.
5. Single shot performance can be achieved after initial current ramp. See TN 3830-2 LDP-3830 Trigger In / Out Performance for additional information.
6. Using trigger in, the trigger out pulse will be 5x the trigger in pulse width up to 12.5 μ s.

In keeping with our commitment to continuous improvement, ILX Lightwave reserves the right to change specifications without notice and without liability for such changes.

Chapter 2 : Operations

This chapter is an overview of the operation of the LDP-3830 Precision Pulse Current Source.

- ✓ Installation
- ✓ Connecting to the instrument
- ✓ Introduction to the LDP-3830 front panel
- ✓ General operating procedures

Installation

Grounding Requirements

The LDP-3830 Precision Pulse Current Source comes with a three conductor AC power cable. The power cable must be plugged into an approved three-contact electrical outlet or used with a three-contact to two-contact adaptor with the grounding wire connected to an electrical ground (safety ground). ILX Lightwave recommends connecting the instrument only to properly earth grounded receptacles. The power cord connector and power cable meet IEC safety standards.




WARNING

To avoid electrical shock hazard, connect the instrument to a properly earth grounded, three prong receptacle only. Failure to observe this precaution can result in severe personal injury or death.

AC Line Power Requirements

The LDP-3830 is factory configured for operation at nominal line voltages of 100-120 or 220-240 VAC. Make sure the voltage requirements that are printed on the back panel of the instrument matches the power-line voltage in your area. Contact ILX Lightwave Customer Service if you need to reconfigure the input voltage range.

Power up Sequence

With the LDP-3830 connected to an AC power source, pressing **POWER** () supplies AC line power to the instrument and starts the following power-up sequence:

- All front panel indicators ON, all 7-segment displays indicate "8"
- All front panel indicators OFF
- Display shows serial number and firmware version of the LDP-3830
- Display shows the model and serial number of the attached LPB-386 pulse board

Each display lasts 2-3 seconds.

During the front panel indicator test, the LDP-3830 performs a self-test to ensure that internal hardware and software are communicating. If the LDP-3830 cannot successfully complete the test, an error message is displayed. See Appendix A for a complete list of error messages. After the self test, LDP-3830 configuration is set to the same state as when power was last turned off.

If you wish, you can use the recall function to quickly get to a different configuration. See Store and Recall for more information.

Firmware Upgradeability

The firmware on the LDP-3830 can be reinstalled or upgraded via USB 2.0 by visiting the ILX Lightwave website at www.newport.com/ilxlightwave. Follow the directions on the LDP-3830 product web page to complete the firmware upgrade.

GPIB Communication

The IEEE 488.1 GPIB interface connector is located on the rear panel, directly above the power input (See Figure 1.2 on page 3). The 24-pin connector is tapered to ensure proper orientation of the GPIB cable. Use fingers to tighten the two screws on the cable connector.

A total of 15 devices can be connected together on the same GPIB interface bus. The cables have double-sided male/female connectors on each end so that several cables can be stacked. This allows more than one cable to be attached to any one device. However, the maximum length of the GPIB interface bus must not exceed 20 meters (65 feet), or 3 meters (10 feet) per device.

USB Communication

The USB connector is located on the back rear panel, next to the GPIB connector. This USB connector is the square "B"-style connector. A standard USB A/B cable is required to communicate with the instrument. This instrument uses the USB Test and Measurement class, and drivers are available from National Instruments and Agilent Technologies. As a convenience the National Instruments Visa Libraries can be installed from the accompanying CD. Please refer to Chapter 3 for more detailed instructions on operating the instrument through USB.

Tilt Foot Adjustment

The LDP-3830 has front legs that extend to make it easier to view the displays. To use them, rotate the legs downward until they snap into position.

Rack Mounting

The LDP-3830 conforms to international standards for a 2U height ½ width rack mounting. Available rack mount accessory kits contain detailed mounting instructions.

Laser Connections

The LPB-386 Laser Pulse Board must be connected to the LDP-3830 unit using the provided CC-385 cable. To limit potential damage to the LPB-386 and the device under test, it is important to screw the connector into both the LDP-3830 and the attached LPB-386 LDP-3830 Pulse Board.

Current Monitor on the LPB-386

Current Monitoring is provided via an SMB connector on the top of the LPB-386. Selection is configured by a switch providing positions for current monitor and off. With the switch in the off position the SMB connector is isolated from the laser. In the current monitoring position, earth grounding of the laser anode or cathode will result in inaccurate current measurements and possible laser damage. When using the current monitor, ensure the attached equipment is set to 50 ohm termination to achieve the rated accuracy of the LDP-3830.

Interlock Connections

Interlock 1 is intended for interfacing with a TTL control signal. Operation is normal in the low state, but the output will be disabled when in the high state. This is compatible with the Trigger Out connector on the LDT-5948 and LDT-5980 products. Additionally, the connector can also be used as a normally closed interlock. The interlock is pulled high using a weak internal pull-up resistor wherefore a short circuit will cause the output to be disabled.

Interlock 2 provides a normally open interlock, it requires a short circuit between the two terminal blocks on the rear panel for proper operation. These terminal blocks are intended to be used with door or cover interlocks incorporating a normally open mechanical or reed relay. The LDP-3830 is shipped with a wire across this connector so the instrument will not need any additional configuration as received.

Connecting to the Laser

The laser may be soldered directly to the tabs on the output of the pulse board. Note the polarity on the cover of the LPB-386. The pads on both the top side and bottom side of the board are available to connect to support various device connections. See ILX Lightwave technical note "LDP-3830 Connecting Your Laser" for additional information on connecting to the LPB-386.

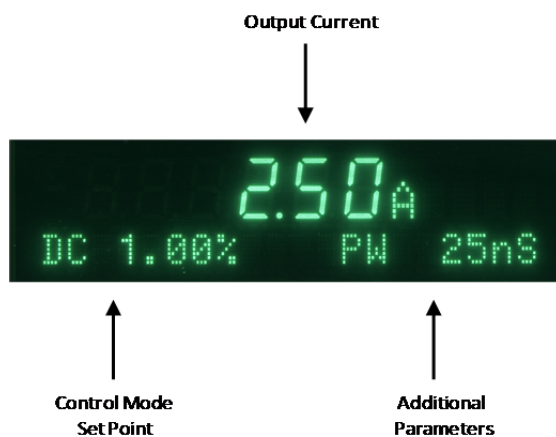
Front Panel Operation

This section describes the fundamentals of operation for the LDP-3830 Precision Pulsed Current Source. The order of descriptions will follow the normal progression of how a user would typically configure the instrument for the first time.



Figure 2.1 - Front Panel Display

Display



The LDP-3830 consists of a large 7-segment LED display and 20 digit dot matrix. The dot matrix display is used to display control mode, parameter values and error messages as well as adjust pulse repetition interval, duty cycle, and pulse width. In normal operation, the 7-segment display shows output current. The left side of the dot matrix displays current control mode (PRI, DC, EXT) and the set point value. By pressing the DISPLAY button, the right portion of the dot matrix display cycles between pulse width or the calculated value for duty cycle in constant PRI mode or the calculated PRI value in constant DC mode. In EXT mode the right display will only show pulse width.

Adjust Knob and Button

The ADJUST knob and button is located on the upper right corner of the LDP-3830 front panel. The knob is used to change the set points and enter parameter values, the GPIB address, and store or recall bin numbers. The ADJUST button has three modes of operation: off (led off), coarse adjust (led on), and fine adjust (led on – bright). Upon pressing a function for adjustment (pulse current, pulse width, pulse repetition interval, duty cycle) the ADJUST LED will be illuminated and the user can begin adjusting. The ADJUST LED will automatically timeout after 3 seconds, if the ADJUST button is pressed after the timeout the previous setting can be adjusted.

Setup

The SETUP button box contains the SET button, PARAM button, RECALL button, and STORE button. Pressing the PARAM button cycles through each of the available parameters and displays them on the dot matrix screen. The parameter menu items are Current Limit, Trig In Delay, Trig out Delay, GPIB Address, and Brightness all of which are described below:

- **Current Limit:** Used to define the maximum pulsed laser current. If the limit is exceeded, the output will turn-off and an error message will be displayed.
- **Trig In Delay:** Adjusts the delay between the time when the LDP-3830 receives an external trigger signal and when the LDP-3830 initiates a corresponding output current pulse.
- **Trig Out Delay:** Adjusts the delay between the time when the LDP-3830 sends a TTL trigger signal out and when the LDP-3830 outputs a current pulse.
- **GPIB Address:** Sets the GPIB address from 1 to 30.
- **Brightness:** Sets the display brightness from 1 to 10.

The items in the setup menu automatically time out after three seconds of no activity and the instrument will return to its default measurement display mode.

To adjust a parameter value, first press the PARAM button until the appropriate parameter is shown and immediately press SET. The units will begin to flash on the display and the parameter can then be adjusted by the ADJUST knob. To set the value, press the SET button or leave the adjust knob untouched for three seconds.

The STORE and RECALL parameter functions are used to store and retrieve instrument configurations.

Non-volatile memory is used for saving the instrument parameters. When a store operation is performed, all of the instrument parameters currently in effect are stored to a "bin" number (1 - 10). When that "bin" number is recalled, the instrument configuration is recalled to the stored values.

To enter the STORE/RECALL mode, press either the STORE or RECALL button which will display the current "bin" number in the bottom of the screen. The current "bin" number will be flashing and the ADJUST knob can be used to select a new "bin". The "store" or "recall" operation is performed when the SET button is pressed. If the SET button isn't pressed after three second the LDP-3830 will time out and the new "bin" number will not be stored or recalled.

Pulse

The PULSE section contains the PRI button, DC % button, EXT button, PULSE WIDTH button, CURRENT button, and ON button. Each button function is described below. To change between control modes (constant PRI, DC%, EXT) press the corresponding button twice. The output will automatically be disabled.

- **DC%:** When the DC% LED is illuminated, the instrument is operating in a constant duty cycle mode where the instrument maintains a constant duty cycle for a set pulse width. The pulse repetition interval will automatically be adjusted to create the desired duty cycle. In this mode, pressing the PRI button will display the calculated pulse repetition interval in the right portion of the DOT Matrix display.

$$DC = (PW / PRI) * 100$$

where:

DC is Duty Cycle in percent

PW is Pulse Width in ns

PRI is Pulse Repetition Interval in μ s

- **PRI:** When the PRI LED is illuminated, the instrument is operating in a constant pulse repetition interval mode where the instrument maintains a constant PRI for a set pulse width. The duty cycle will automatically be adjusted to create the desired pulse repetition interval. In this mode, if the DC% button is pressed, the calculated duty cycle will be displayed in the right portion of the DOT Matrix display.
- **EXT:** When the EXT LED is illuminated, the instrument will operate in External Trigger mode. With an externally supplied trigger, only the pulse width may be adjusted. When the instrument is outputting a pulse the TRIG light on the display will be illuminated. The DC% / PRI display mode is disabled in EXT mode. Instead, the repetition interval is determined by the rate of the TTL signal at the TRIGGER IN connector. The LDP-3830 will limit the maximum duty cycle to 5% in order protect the LDP-3830.
- **PULSE WIDTH:** Pressing the PULSE WIDTH button allows the user to adjust the pulse width of the LDP-3830. The pulse width will be displayed in right portion of the DOT Matrix display.
Note: Pulse wide adjustment may be limited by other settings and duty cycle requirements.
- **CURRENT:** Pressing the CURRENT button allows the user to adjust the current set point of the LDP-3830.
- **ON:** Enables or Disables the LDP-3830 current output after a two second delay. When turning on, the output LED will flash for two seconds before the output is enabled. During this period, pressing the ON button again will cancel the turn-on sequence. After the output is enabled, pressing the ON button will immediately turn off the output.

General Operating Procedures

The following sections present some operational guidelines as well as some common operating procedures. Remote operations are discussed in Chapter 4.

Before turning on the output, be sure that the current limit is slightly greater than your laser's maximum operating current. Also, adjust the output current set point to a safe and reasonable level. If this is the first time operating the LDP-3830 or a new laser is being used, ILX would recommend setting the current to zero and slowly ramping up to the desired set point.

The connections to the laser must be secure to prevent an open circuit should they be jostled or bumped. If an open circuit occurs during laser operation then the OUTPUT will be turned off automatically.

Experience indicates that if an open circuit occurs during laser operation (while the OUTPUT is ON), that the laser may be damaged by a momentary circuit break-and-remake before the final circuit break. Therefore, securing the cabling is very important.

Warm-Up and Environmental Considerations

Operate the LDP-3830 at an ambient temperature in the range of 10 to +40°C. Storage temperatures should be in the range of -40 to +70°C. Let the LDP-3830 warm up for at least 1 hour before use to achieve the rated accuracy.

Pulse Mode Operation

You can operate the LDP-3830 in several modes: constant duty cycle (DC%), constant pulse repetition interval (PRI) or external trigger (EXT).

For pulse mode operation in any control mode, follow the steps below.

- Plug the LDP-3830 into an AC power source supplying the correct voltage for the instrument (refer to the back panel for the correct voltage ratings).
- Turn on the LDP-3830 by pressing the front panel POWER button.
 - The output stage will be off at power-up and the instrument will be configured to the state it was in when the power was last shut off.
- Configure the Current Limit under PARAM
 - Use the RECALL feature to recall a pre-configured setup and then recheck the configuration parameters.
- Connect the laser (or other device) to the instrument.
- Press the CURRENT button. Turn the ADJUST knob until the desired setpoint is displayed.
- Select the mode of operation by pressing PRI, DC% or EXT twice.
- For DC% or PRI modes, press the corresponding button and using the ADJUST knob to set it the respective value.
- Next, set the pulse width by pressing the PULSE WIDTH button. Then turn the ADJUST knob to set pulse width.
- Turn the output on by pressing the ON button. After a 2 second delay, the output-on sequence will start with a slow ramp during which the LDP-3830 will automatically drive the laser to the set point current.
- While the output is on, the laser drive current set point and limit may be changed. Also, the pulse width and/or duty cycle percentage may be adjusted. If the pulse width is changed, the duty cycle percentage range may be automatically limited, if required (due to the limitations of the resolution of the PW and PRI values).

- If the mode of operation (DC%, PRI, EXT) is changed, the OUTPUT will be automatically turned off.

Pulse Current Limit

The pulse current limit will have to be always set higher than your maximum setpoint. The combined accuracy of the setpoint and the current limit circuitry can cause a current limit even when the current limit is set 100mA above the current setpoint. Furthermore, in the case of an inductive load at short pulse widths, the LDP-3830 will compensate for low pulse amplitude at the rising edge, and cause the middle of the pulse to rise above the setpoint value in order to maintain the configured average pulse amplitude.

Chapter 3 :

Remote Operation

This chapter is an overview of the remote operation of the LDP-3830 Precision Pulse Current Source.

- ✓ Remote Operation
- ✓ Command Tree Structure
- ✓ Status Reporting
- ✓ Command Timing

Remote Operation

Test and measurement equipment with remote operation capability will generally communicate through either GPIB or USB interfaces. GPIB (General Purpose Interface Bus) is the common name for *IEEE Standard 488.1*, an industry standard for interconnecting test instruments in a system. USB (Universal Serial Bus) is the most common serial communication protocol used by computers today. Everything that can be done from the front panel can also be done remotely, and in some cases, with more flexibility. For instance, in remote mode, there is access to functions and modes not available from the front panel, such as commands that will increment (CURRent UP) or decrement (CURRent DOWN) the current setpoint by a predefined step value. The following sections explain the fundamentals of operating the LDP-3830 Precision Pulse Current Source remotely through either the GPIB or USB interface.

Basic GPIB Concepts

The information in the Basic GPIB Concepts section is normally not necessary to successfully operate the LDP-3830 through its GPIB interface because the host computer's GPIB controller usually handles the details; however, it is a useful perspective in understanding GPIB.

Data and Interface Messages

GPIB devices communicate with each other by sending data and interface messages. Data contains device-specific information such as programming instructions, measurement results, and instrument status. Each device has an address number, and ignores all data traffic not addressed to it. Depending on its content, data is often called a "device dependent message" or a "device dependent command". Interface messages manage the bus, with functions such as initializing the bus and addressing or unaddressing devices. In addition, some individual bus lines are designated for this purpose.

Talkers, Listeners, and Controllers

Every GPIB system consists of one or more "talkers" and "listeners" and often at least one "controller". Talkers supply data. Listeners accept data. A system can consist of simply a talker and listener, for example a meter connected to a datalogger or chart recorder. Controllers designate talkers and listeners. A controller is necessary when the active talkers or listeners must be changed. When the controller is a computer, it often also designates itself as a listener so it can collect data from designated talkers.

If there is more than one controller, only one can be the Controller In Charge (CIC). Control can be passed from one computer to another. In a multiple controller system, there can be one “System Controller” capable of asserting control (becoming CIC).

GPIB Cable Connections

Standard GPIB connectors can be connected together (stacked) allowing the system to be configured linearly or in a star configuration.

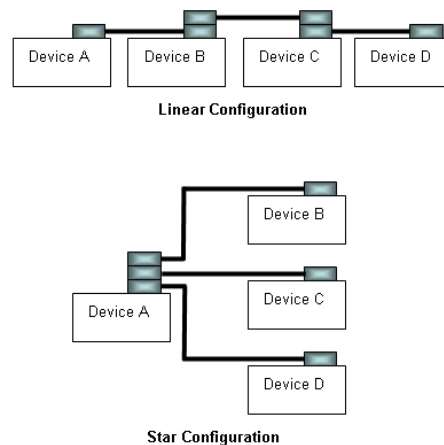


Figure 3.1 - GPIB Connections

Reading the GPIB Address

Before operating the LDP-3830 remotely, its GPIB address must be known. Simply press the PARAM button until the GPIB address is displayed in the dot matrix display. The factory default address is “1”.

Changing the GPIB Address

Every device on the GPIB bus must have a unique address. If it is necessary to change the address, press the PARAM button until the GPIB address is displayed. Then press the SET button and adjust the knob until the desired address value is shown. When the instrument times out then the new GPIB address is stored in nonvolatile memory. The allowable address range is 1 to 30.

Basic USB concepts

The LDP-3830 communicates with the computer using the USB Test and Measurement Class USB488 Subclass (USBTMC488). If you are using other test equipment, you may already have this on your computer as it is included with National Instruments and Agilent Technologies VISA libraries. The USBTMC488 passes messages based on the IEEE 488.1 and IEEE 488.2 standards. In most cases, code written for GPIB can be used over the USB interface by only changing the connection string.

Changing Operation from Local to Remote

Sending a command over the GPIB or USB bus automatically puts the instrument in remote mode. The remote indicator in the display identifies when the controller is in remote operation mode. When the instrument is in remote mode, all front panel controls are disabled except for the RECALL/LOCAL

button. Pressing the RECALL/LOCAL button returns the instrument to Local control mode ~~unless the Local Lockout mode has been activated by the host computer. Local Lockout disables all front panel controls, including the RECALL/LOCAL button, until this condition is changed by the host computer. When the instrument is placed in Local Lockout Mode by the host computer, the remote indicator will illuminate on the VFD display.~~

GPIB vs. USB Communication

The USB port follows the USB Test and Measurement Class, USB488 Subclass Specifications. Due to the physical hardware differences, broadcast and multicast messages along with SRQ interrupts are not available over the hardware. In these cases, the software controlling the instrument can replace these GPIB hardware commands with functionally equivalent alternatives. You can review the USB Test and Measurement Specification and the USB488 Subclass Specification from the www.usb.org website.

Syntax Summary

Each IEEE 488.1 Command/Query is composed of a program header and optional program data.

Program Headers

All program headers consist of one or more keywords, since they are based on a hierarchical structure, also known as a tree system. To obtain a particular command, the full path to that command must be specified. Square brackets ([]) are used to enclose a keyword that is optional when programming the command. The command will have the same effect whether included or not and is referred to as a default node. Letter case is used to differentiate between the accepted short form (the uppercase characters) and the long form (the whole keyword). All commands are case insensitive, but each keyword must be of the short or long form. A “?” character at the end of a program header indicates that it is a query.

Table 3.1 – Acceptable and Not Acceptable Commands

Acceptable	Not Acceptable
:SOURCE:CURRENT:level	:SOURCE:LEVEL
:CurrenT	:CURREN

488.2 Common Program Headers

IEEE 488.2 Common Commands and Queries are distinguished by the “*” which begins each mnemonic.

All the IEEE 488.2 Common Commands and Queries supported by the LDP-3830 are listed below:

Table 3.2 – 488.2 Common Commands Supported by LDP-3830

*CLS	*ESE	*ESE?	*ESR?
*IDN	*OPC	*OPC?	*PSC
*PSC?	*RCL	*RST	*SAV
*SRE	*SRE?	*STB?	*TST?

*WAI			
------	--	--	--

Command Tree Structure

All device-dependent commands are structured in a tree format as shown in Figure 3.2. Each of the legal paths is shown, followed by its list of path options, followed by the commands themselves. It is recommended that the first-time user begin learning the commands by using the full path notation. Once familiar with the commands, command path shortcuts may be used. Each level of the tree is traversed by placing a colon (:) between each keyword.

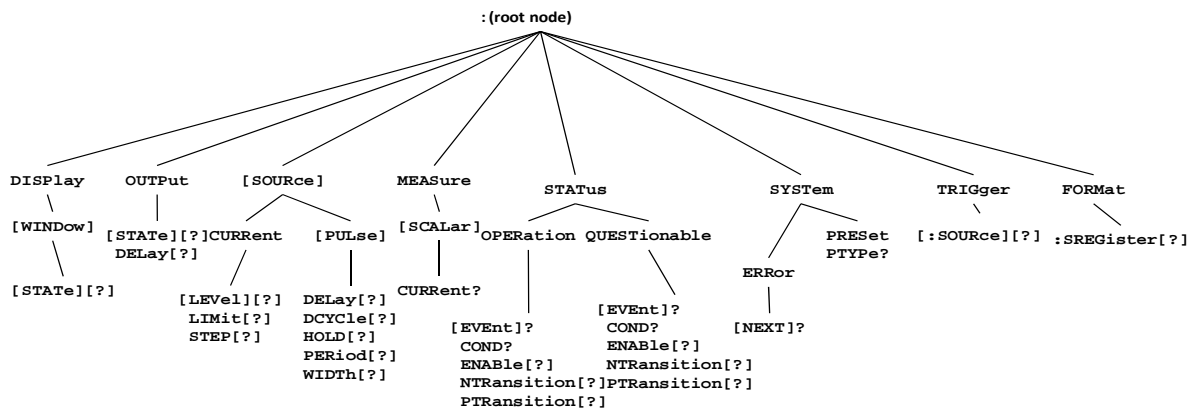


Figure 3.2 – Command Tree Structure

Header Tree Traversal

Multiple Commands/Queries can be sent in a message. The first command is always referenced to the root node; however, subsequent commands are referenced to the same tree level as the previous command. Preceding a program header with a colon (:) returns the parser back to the root node. Insertion of a common command has no effect on the position of the parser within the tree.

For example, the following commands behave as described:

- SOURCE:CURRENT:LEVEL 2.5;LIMIT 3 will set the current setpoint to 2.5A and the current limit to 3 amps.
- SOURCE:CURRENT:LEVEL 2.5;WIDTH 100e-9 will set the current to 2.5A and generate an error because WIDTH is not a node at the current parser level.
- SOURCE:CURRENT:LEVEL 2.5;:WIDTH 100e9 will set the current to 2.5A and the pulse width to 100 ns since the ":" returned the parser to the root node and SOURCE and PULSE are default nodes under the root node.
- CURRENT 2.5; LIMIT 3 will set the current to 2.5A since SOURCE and LEVEL are default nodes and then return an error since LIMIT is not on the root node.

- CURRENT 2.5;WIDTH 100e9 will set both the current and the pulse width since there are default nodes to each command from the root node.

Separators

Separators are required between the program header and program data, between individual program data elements and between each IEEE 488.1 Command/Query.

White space is required between the program header and parameter data. “White space” is any number of ASCII-encoded bytes in the range of 00-09, 0B-20 (0-9, 11-32 decimal). This range includes the ASCII control characters and the space but excludes the newline.

Table 3.3 – White Space

Acceptable	Not Acceptable
CURRENT 3.0	CURRENT3.0

A comma (,) is required between multiple program data elements and white space may be included on either side of the comma. It is ignored by the parser.

A semicolon (;) separates one complete command from another. Again, white space may be included on either side of the semicolon to enhance readability.

Parameters

When a command requires a parameter, the parameter syntax is shown in the command following the program header. The LDP-3830 accepts both character program data, which is indicated by mixed case text after the program header, or numerical data, which is indicated by the name of the value enclosed in right and left carots (<>). The vertical bar (|) can be read as “or” and separates alternative parameter options.

Numbers are represented in ASCII format in binary, integer, floating point form, or in engineering/scientific notation. For example the number “twenty” may be represented by any of the following ASCII strings:

Table 3.4 – Numeric Format

Integer	20	+20
Floating Point	20.0	+20.0
Scientific Notation	2.0E+1 2.0e+1	+2.0E+1 +2.0e+1
Binary Format	#H14 #O24 #B10100	#h14 #o24 #b10100

There are no default values for omitted parameters. If a command is expecting a parameter and nothing is entered, error “-109, Missing parameter”, is generated.

Following are examples of invalid command strings that will produce errors:

Table 3.5 – Invalid Syntax Command Strings

COMMAND	COMMENT
OUTP:STATE *IDN?	Missing colon; STATE? expected.
OUTP ON *IDN	Missing semicolon; INC command generates an error.
OUTP:ON ?	Space not allowed before question mark.
WIDTH0.000001;WIDTH?	Space missing between WIDTH command and the parameter value 0.000001.

Numeric data is required with *PSC (1 = on, 0 = off), *RCL (0 – 10, see front panel RECALL function), *SAV (1 – 10, see front panel STORE function), and *ESE (0 – 255, see Figure 4.2 – GPIB connector diagram).

Coupled Commands

SOURce:PULse:WIDTh, SOURce:PULse:DCYCLe, and SOURce:PULse:PERiod along with SOURce:CURRent:LEVel and SOURce:CURRent:LIMit are coupled commands. This means that setting one may have an effect on the other values. With coupled commands, care needs to be exercised when sending down commands. For instance if the instrument is currently set to a pulse width of 60ns and a period of 1.2us, if you sent the command “WIDTH 100e-9” followed by the command “PERIOD 5e-6”, the WIDTH command would result in a execution error. This is because setting a 100ns pulse width at a period of 1.2us would violate the 5% limit on duty cycle. The PERIOD command would execute, but then the settings would be pulse width of 60ns and period of 5us. If these commands were sent down in the opposite order, the settings would be as expected.

The better alternative, is that you send down both commands in one message, “WIDTH 100e-9;PERIOD 5e-6”. We have designed the parser to wait until we have gotten all of the coupled commands an then we parse them together. Sending them together will take the burden off of the programmer to determine the correct order to send down parameters. But keep in mind, that it doesn't solve all of your problems. If “WIDTH 100e-9;PERIOD 5e-6;DCYCLE 1” was sent to the instrument, the instrument does not attempt to guess which two headers were the most important, and since all three of those values can't be obtained together, an execution error will occur and the previous settings will remain unchanged.

See Chapter 4 – Command Reference for descriptions of all commands, including common commands, supported by the LDP-3830.

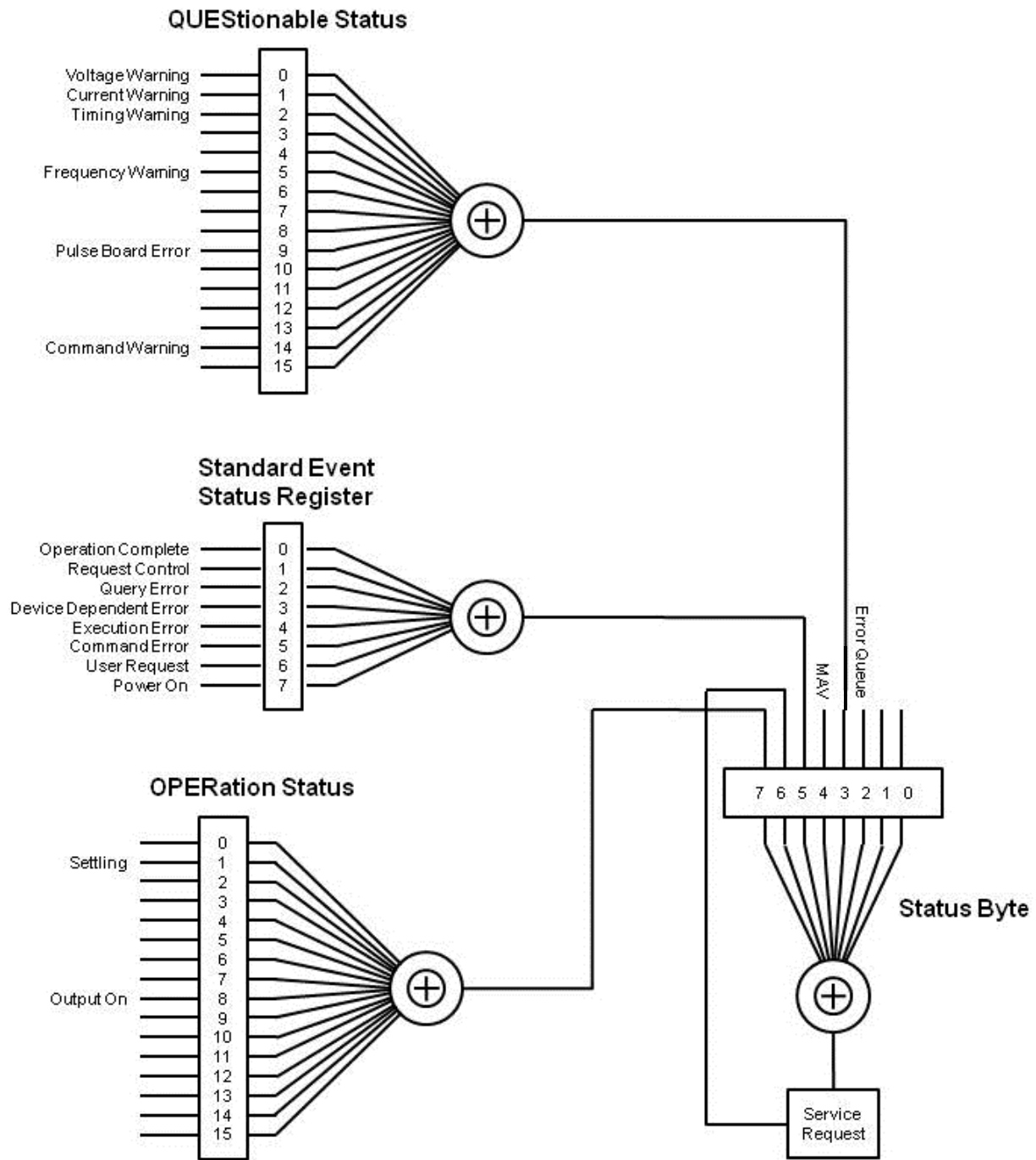


Figure 3.3 - Status Reporting Diagram

Status Reporting

The status reporting model diagramed in Figure 3.3 is used to summarize the condition of the instrument down to the IEEE 488.1 defined status byte. It also enables service requests.

Status Byte

The status byte is composed of a status byte register and a service request enable register. The status byte register contains the IEEE 488.1 STB and RQS/MSS messages.

The bits in the status byte act as summary bits for the data structures residing behind them. In the case of the MAV, the status byte indicates that the output queue is not empty while the error queue indicates that there are unread errors. The service request enable register is a mask that enables Service Request Interrupt (SRQ) to the host controller when the corresponding bit in the status byte register is set. Bit 6 in the status byte register is unique in that it indicates that a service request is enabled and the corresponding bit 6 in the service request enable register is ignored.

The status byte register can be read with either a serial poll over GPIB, READ_STATUS_BYTE request over USB, or the *STB? common query. Depending on which method is used, the status byte register response may change. If read by serial poll over GPIB, or READ_STATUS_BYTE over USB, the value of the status byte register is not altered; however, if the system had asserted a request for service, the register will be cleared without a corresponding change to the status byte. Bit 6 will report '0' if the instrument is polled again before a new reason for service has occurred. Reading with the *STB? query will send the contents of the status byte register as a single element. The response will be identical to that of the serial poll or READ_STATUS_BYTE request except that bit 6 will report the inclusive or the bitwise combination, excluding bit 6, of the status byte register and the server request enable register. The *STB? common query does not directly alter the status byte, or the request for service message.

Commands associated with the status byte are: *STB?, *CLS, *SRE, *SRE?, *PSC, *PSC?. These, as well as all valid queries, will set the MAV bit and all errors will set the error queue bit.

Event Registers

Event registers capture changes in conditions. Each event bit in an event register corresponds to a condition bit in the condition register or, if there is no condition register, to a specific condition in the instrument. The event will become true when the associated condition makes a defined transition. The bits in the event register “latch” once they are set meaning that they are not cleared until they are read by the application. The event register guarantees that the application cannot miss an event that occurs between the reading and clearing of an event register. Event registers also have a corresponding event enable register that determine which bits in the corresponding event register will cause a true summary message when set. Once set, the summary is passed down to the status register. Event registers cannot be directly written to and they are cleared when read or sent the *CLS common command.

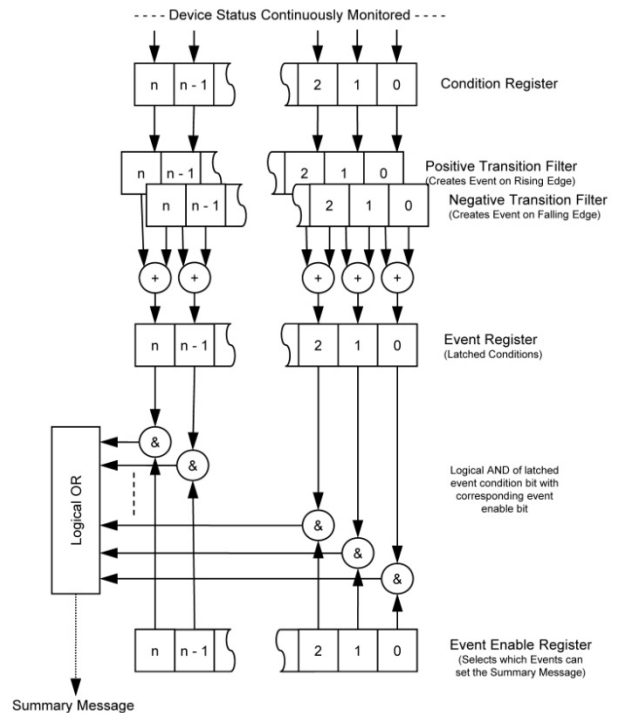


Figure 3.4 – Event Register Diagram

When an event register also has a corresponding condition register, there is a Positive Transition Register (PTR) and Negative Transition Register (NTR) that active the corresponding bits in the event register. The PTR allows an event to be reported when the condition changes from false to true. The NTR allows an event to be reported when the condition changes from true to false. Setting both allows an event to be reported anytime the condition changes. Clearing both transition registers disables event reporting.

*CLS will clear all event registers within the instrument. *PSC enables clearing of event registers at power on.

Standard Event Status Register

The standard event register is defined in the IEEE 488.1-1992 specification. It does not have a corresponding condition register.

- Bit 7 – Power On indicates that an off-to-on transition has occurred in the power supply.
- Bit 6 – User Request indicates that a front panel button press has requested local control.
- Bit 5 – Command Error indicates an error has been detected by the command parser.
- Bit 4 – Execution Error indicates a command was valid but could not be executed.
- Bit 3 – Device-specific Error indicates an error that occurs due to hardware limitations.
- Bit 2 – Query Error reports data in the output queue is not available or has been lost.
- Bit 1 – Unused and always reports 0.
- Bit 0 – Operation Complete is generated in response to the *OPC command.

Commands that affect the standard event register are *OPC, *CLS, *ESR?, *ESE, *ESR?, *PSC and *PSC?.

QUEStionable Status

The QUEStionable status register contains bits which give an indication of the quality of various aspects of the signal. A bit set in the condition register indicates that the data currently being generated is of questionable quality due to a parameter associated with the bit. For instance, the current warning could mean that the current is changing and has not reached the setpoint or that a command was sent to the unit that was clipped to a value based on the limits of the instrument. The timing warning may indicate that the external trigger is faster than the 5% duty cycle limitation of the instrument and was therefore ignored. A pulse board error indicates that there is no pulse board or an unrecognized pulse board is attached to the instrument. Interlock 1 and 2 indicate that the unit is in interlock and will not operated.

Commands associated with the QUEStionable status register:

:STATus:QUEStionable:CONDition? – Queries the Condition Register
:STATus:QUEStionable[:EVENT]? – Queries/Clears the Event Register
:STATus:QUEStionable[:EVENT]:NTRansition[?] – Negative Transition Register
:STATus:QUEStionable[:EVENT]:PTRansition[?] – Positive Transition Register
:STATus:QUEStionable:ENABle[?] – Questionable Event Enable Register

OPERation Status

The OPERation status register contains conditions that are part of the instrument's normal operation. Settling indicates that the setpoint has been changed and the instrument is adjusting to the new setpoint. Settling is also likely to result in a current or timing warning questionable status.

Commands associated with the OPERation status register:

:STATus:OPERation:CONDition? – Queries the Condition Register
:STATus:OPERation[:EVENT]? – Queries/Clears the Event Register
:STATus:OPERation[:EVENT]:NTRansition[?] – Negative Transition Register
:STATus:OPERation[:EVENT]:PTRansition[?] – Positive Transition Register
:STATus:OPERation:ENABle[?] – Questionable Event Enable Register

Command Timing

This section describes, for each device-dependent command, whether that command is performed in an overlapped or sequential manner. In other words, it states whether the next command may begin while the first is being executed or if it must wait until the first command is completed before its execution begins.

Sequential / Overlapped Commands

All device-dependent commands are executed in an overlapped manner, i.e. subsequent commands may begin before the current command has completed. Three common commands (*OPC, *WAI, *OPC?) are used to synchronize operation to the execution of overlapped commands. All overlapped commands are associated with a pending operation flag, which is set to true when the action is being performed. The flag is set to false when the operation is finished or aborted. When all operations are complete, the no operation pending flag will transition from false to true. If *OPC is sent down, the instrument will set the corresponding status bit when this transition occurs.

Commands that change the status of the instrument are restored at power up and will not have their OPC flag set until all of the current writing to the non-volatile memory has been completed.

Query Response Timing

Query responses are evaluated at the time the query request is received and not at the time the response message is sent. In most cases, this does not create a problem since the time between parsing a query and sending its response is small.

Chapter 4 :

Command Reference

This chapter is a guide to all of the device-dependent commands for the LDP-3830 Precision Pulse Current Source. This chapter is divided into two parts.

- ✓ Overview of the remote commands
- ✓ List of remote commands in alphabetical order

Remote Command Reference Summary

This section contains all of the commands for the LDP-3830 Precision Pulse Current Source, listed in alphabetical order. Table 4.1 contains a list and a description of each IEEE 488.1 common command. Table 4.2 contains the instrument specific commands. Unless otherwise noted, each of the instrument specific commands has a corresponding query without a parameter. See Figure 4.4 for the command path tree structure.

Table 4.1 – Remote Command Summary of IEEE 488.1 Common Commands

Command Syntax	Function
*CLS	Resets the Standard Event Register, Status Byte and Error Queue to zero.
*ESE <integer>	Sets the Standard Event Status Enable Register.
*ESE?	Returns the value of the Standard Event Status Enable Register.
*ESR?	Returns the value of the Standard Event Status Register.
*IDN?	Returns the Device Identification string.
*OPC	Generates the Operation Complete message in the Standard Event Status Register.
*OPC?	Places an ASCII character 1 into the Output Queue.
*PSC	Used to avoid any undesirable service requests.
*PSC?	Queries the Power-On-Status-Clear Flag.
*RCL <integer>	Used to recall a stored setup configuration.
*RST	Forces a device reset.
*SAV <integer>	Saves the current setup configuration.
*SRE <integer>	Sets the Service Request Enable Register bits to allow generation of user-selectable service requests.
*SRE?	Returns the current contents of the Service Request Enable Register.
*STB?	Returns the current contents of the Status Byte Register.
*TST?	Initiates an internal self-test and returns a response when complete.
*WAI	Prevents executing any further commands until the No-Operation-Pending flag is true.

Table 4.2 – Instrument Specific Command Summary Reference List

Name	Function
:DISPlay[:WINDow][:STATe] ON OFF 1 0	Toggles the display on/off
FORMat:SREGister ASCii BINary HEXadecimal OCTal	Response format for status subsystem data
:MEASure[:SCALar]:CURRent?	(Query Only) Measured/front panel pulse current
:OUTPut[:STATe]	Switches pulse outputs on or off
:OUTPut:DElay <seconds>	Trigger out delay
[SOURce]:CURRent[:LEVel] <amps> UP DOWN	Pulse current setpoint
[SOURce]:CURRent:LIMit <amps>	Pulse current limit
[SOURce]:CURRent:STEP <amps>	Pulse current step size
[SOURce][:PULSe]:DCYCLE <percent>	Duty cycle
[SOURce][:PULSe]:HOLD WIDTH DCYLe	Holds duty cycle or pulse width constant
[SOURce][:PULSe]:PERiod <seconds>	Pulse repetition period
[SOURce][:PULSe]:WIDTH <seconds>	Pulse width
STATus:OPERation[:EVENT]?	(Query Only)Read the Operational Event Register
STATus:OPERation:COND?	(Query Only)Read the Operational Condition Register
STATus:OPERation:ENABle <integer>	Operational Event Enable Register
STATus:OPERation:NTRansition <integer>	Operational Status Negative Transition Event Enable Register
STATus:OPERation:PTRansition <integer>	Operational Status Positive Transition Event Enable Register
STATus:QUESTionable[:EVENT]?	(Query Only)Read the Questionable Event Register
STATus:QUESTionable:COND?	(Query Only)Read the Questionable Condition Register
STATus:QUESTionable:ENABle <integer>	Questionable Event Enable Register
STATus:QUESTionable:NTRansition <integer>	Questionable Status Negative Transition Event Enable Register
STATus:QUESTionable:PTRansition <integer>	Operational Status Positive Transition Event Enable Register
SYSTem:ERRor:[NEXT]?	(Query Only>Returns first entry in error queue
SYSTem:PRESet	(No Query)Instrument reset
SYSTem:PTYPe?	(Query Only>Returns Pulse Board information
TRIGger:SOURce IMMEDIATE EXTernal	Sets the pulse repetition source.

Command Reference

The following pages contain a reference for both common and device-dependent commands of the LDP-3830 Precision Pulse Current Source.

*CLS

Clear Status

Description	Clears all status event registers and the error queue
Notes	Useful to clear registers before enabling service requests (SRQ)
Example	*CLS

*ESE <integer>

Standard Event Status Enable

Description	Sets the bits in the standard event status enable register.
Parameters	The value must be between 0 and 255.
Notes	<p>The integer sent as a parameter is expressed in binary form when an event occurs in the standard event status register that matches the corresponding bit in the standard event status enable register, bit 5 will be enabled in the status byte register</p> <p>See *ESR? for a description of each bit in the status register along with a diagram of the reporting structure.</p>
Examples	**ESE 40" Sets the standard event status enable register to enable bit 5 of the status byte register if a device-dependent error or a command error occurs ($40 = 2^3 + 2^5$)

*ESE?

Event Status Enable Query

Description	Determine the contents of the standard event status enable register
Parameters	None
Notes	<p>The response is a value between 0 and 255, representing the bits of the standard event status enable register when expressed in base 2 binary format</p> <p>See *ESR? for a description of each bit in the status register along with a diagram of the reporting structure</p>
Examples	**ESE?" A response of 68 means the user request and query error bits have been enabled in the standard event status enable register ($68 = 2^2 + 2^6$)

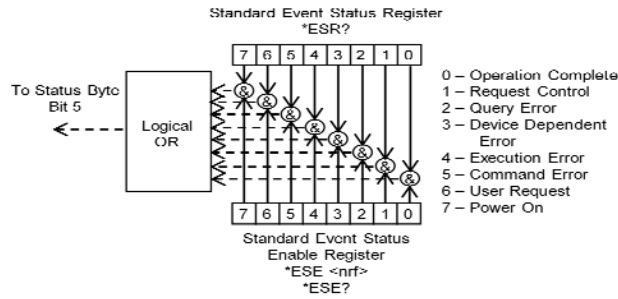
*ESR?

Standard Event Status Register Query

Description	Determine the contents of the standard event status register
Parameters	None

Notes

Reading this register clears the contents. The response is a value between 0 and 255, representing the bits of the standard event status register when expressed in base 2 binary format.



The event bit is set when a specific event occurs:

- Bit 0 Operation Complete is set when all pending device operations have been finished after *OPC common command has been executed
- 1 Unused and always reports 0
- 2 Query Error means that data in the output has been lost or that none was available
- 3 Device-Specific Error is an error has occurred that is neither a command query or execution error
- 4 Execution Error means a parameter was evaluated to be outside the legal input range or capability
- 5 Command Error means a command could not be interpreted by the parser
- 6 Unused and always reports ""
- Bit 7 Power On indicates that an off-to-on transition has occurred in the power supply
*CLS will clear this register

Examples ""ESR?" A response of 32 means a command error has occurred

***IDN?
Instrument Identification**

- Description** Requests the instrument to identify itself
- Parameters** None
- Notes** Returns a string of instrument identification information. The string contains a comma separated list of manufacturer, model number, serial number, and firmware revision.
- Examples** ""IDN?" Responds with " ILX Lightwave,LDP-3830,38301111,1.0 -- 1.0"

***OPC
Operation Complete**

- Description** Sets the operation complete bit (bit 0) in the standard event status register when all pending overlapped commands have been completed
- Parameters** None
- Notes** This command does not hold off subsequent operations. You can determine when the overlapped commands have completed either by polling the standard event status register (*ESR?) or by setting up the status system such that a serve request is asserted when bit 0 is set in the standard event status register.
- Examples** OUTPUT ON;*OPC Will set bit 0 in the standard event status register when the output is on

*OPC?

Operation Complete Query

Description	Places an ASCII character 1 into the instrument's output queue when all pending operations have been finished
Parameters	None
Notes	This command is a sequential command that holds off all subsequent commands until the "1" is returned. Make sure you have set the timeouts appropriately for using this command when you expect long delays.
Examples	*OPC? A response of "1" means that all overlapped commands are complete

*PSC <number>

Power-on Status Clear

Description	Sets automatic power-on clearing of the enable registers						
Parameters	A number that rounds to the integer zero disables the power-on clearing of enable register while any other number enables the power-on clearing of enable registers.						
Notes	Registers affected: <table><tr><td>Condition Status Enable</td><td>Service Request Enable</td></tr><tr><td>Event Status Enable</td><td>Standard Event Status Enable</td></tr><tr><td>Operational Event Enable</td><td>Questionable Event Enable</td></tr></table> Factory default condition: Disabled In the disabled state, the values of the enable registers are saved through power OFF/ON. The power-on status clear flag (see *PSC?) is set to false, disallowing service request interrupts after power-on. In the enabled state, the enable registers are cleared during power-on. The power-on status clear flag (see *PSC?) is set to true, allowing service request interrupts after power-on.	Condition Status Enable	Service Request Enable	Event Status Enable	Standard Event Status Enable	Operational Event Enable	Questionable Event Enable
Condition Status Enable	Service Request Enable						
Event Status Enable	Standard Event Status Enable						
Operational Event Enable	Questionable Event Enable						
Examples	*PSC 0 Disable automatic power-on clearing of the enable registers *PSC 1 Enable automatic power-on clearing of the enable registers						

*PSC?

Power-on Status Clear Query

Description	Requests the status of the power-on status clear flag						
Parameters	None						
Notes	Response: 0 – The enable registers are saved through power off/on. 1 – The enable registers are cleared during power on. Registers affected: <table><tr><td>Condition Status Enable</td><td>Service Request Enable</td></tr><tr><td>Event Status Enable</td><td>Standard Event Status Enable</td></tr><tr><td>Operational Event Enable</td><td>Questionable Event Enable</td></tr></table> See Chapter Four for more information on register structure	Condition Status Enable	Service Request Enable	Event Status Enable	Standard Event Status Enable	Operational Event Enable	Questionable Event Enable
Condition Status Enable	Service Request Enable						
Event Status Enable	Standard Event Status Enable						
Operational Event Enable	Questionable Event Enable						
Examples	*PSC? Requests state of power-on status clear flag						

***RCL <bin>**

Recall

Description	Recalls a stored setup configuration from memory
Parameters	A value from 0 – 10
Notes	Bin 0 is the factory-set default configuration The *SAV function is used to save configurations for convenient recall The current setup is automatically stored and recalled at the next power-on
Examples	“*RCL 0” –response: instrument is reconfigured to factory-default settings

***RST**

Reset

Description	Performs a device reset
Parameters	None
Notes	<ol style="list-style-type: none">1. Clears *OPC or *OPC? device requirements2. Stops operation of overlapped commands3. Sets all device specific function to a known state (*RST Value) <p>The reset command does NOT affect the following:</p> <ol style="list-style-type: none">1. Output Queue2. Enable Registers3. Event Registers4. *PSC state5. Memory contents associated with *SAV

***SAV <bin>**

Save

Description	Saves the current instrument configuration to non-volatile memory
Parameters	A value from 1 – 10
Notes	The *SAV operation saves the contents of everything affected by the *RST command. It is not necessary to save the current setup for next power-on. The current setup is automatically stored and recall at next power-on. Use *RCL <bin> to restore the saved configuration
Examples	“*SAV 3” The current instrument configuration is stored in memory bin 3

***SRE <integer>**

Service Request Enable Command

Description	Sets the service request enable register bits
Parameters	A value in the range of 0 to 255

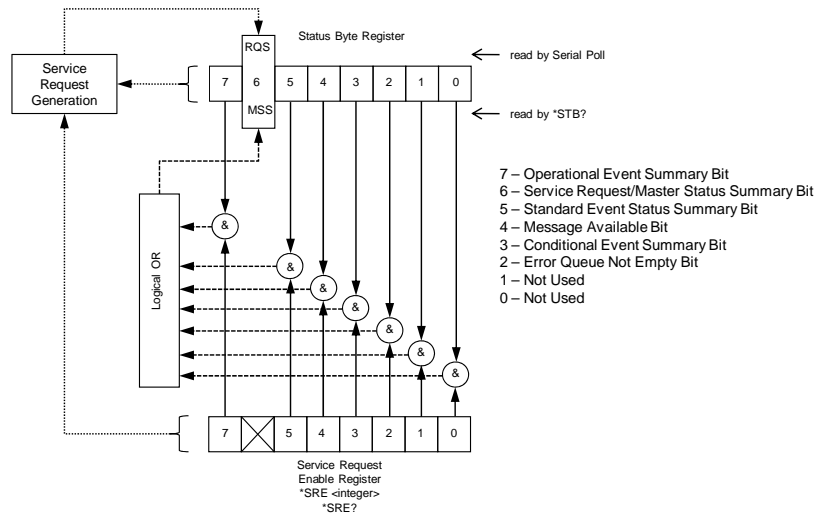
Notes

The integer sent as a parameter when expressed in binary format, each bit represent a bit in the service request enable register. A bit value of one indicates an enabled condition. A bit value of zero indicates a disabled condition. Bit 6 will be ignored.

Setting the service request enable register allows the programmer to select which summary messages in the status byte register may cause service requests. Each bit in the service request enable register corresponds to a bit in the status byte register.

A service request is generated when a bit in either the service request enable register or the status byte register transitions from zero to one and the corresponding bit in the other register is either set to one or transitions from zero to one at the same time.

Chapter 3 has detailed information on status reporting.



Examples

****SRE 16** Enables the service request enable register to generate a service request when a query generating message is available to read from the output queue.

***SRE?**

Service Request Enable Query

Description Returns the enabled bits in the service request enable register

Parameters None

Notes The response is a value between 0 and 255, representing the bits of the standard event status enable register when expressed in base 2 binary format

Examples ****SRE?** A response of 16 signifies that the message available summary bit is enabled

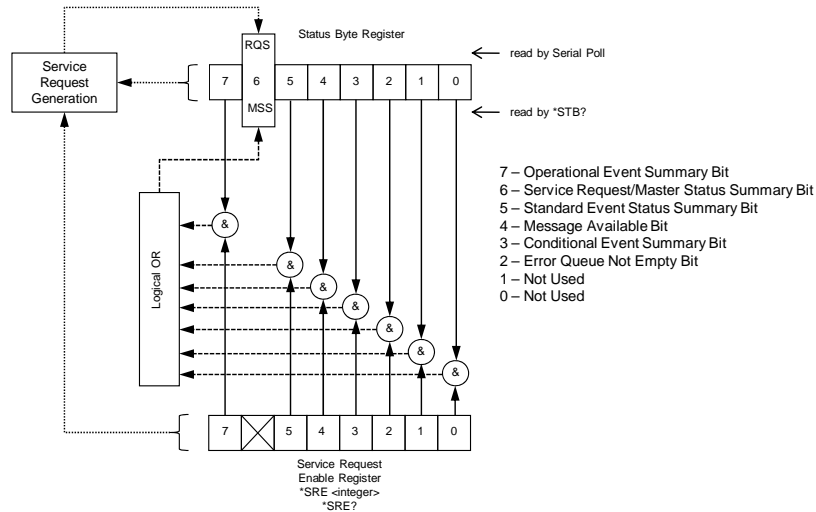
***STB?**

Status Byte Query

Description Returns the value of the status byte register

Parameters None

Notes The response is the sum of the enabled bits and must be a value between 0 and 255



Examples **STB?" A response of 200 specifies that the laser condition summary, master status summary and error available bits are enabled

***TST?**
Self Test

Description Performs an internal self-test and then reports results

Parameters None

Notes Response 0 = test completed with no errors
Response 1 = test completed with errors

This is a synchronous command and will block other commands from execution until it has completed

Examples **TST?" A response of 0 means test completed without errors

***WAI**
Wait to Continue

Description Prevents the instrument from executing any further commands until all pending operations are complete

Parameters None

Notes This command can be used to make the instrument wait until an operation is complete before continuing

Care should be taken to set the time-out appropriately for use with the *WAI command. After this command is sent, the instrument may block subsequent commands waiting for the input queue to empty.

Examples ":OUTPUT ON;*WAI::MEAS:CURRENT?" The current measurement will occur after the output is on

:DISPlay[:WINDow][:STATe] ON|OFF|1|0
:DISPlay[:WINDow][:STATe]?

Description Controls whether the display is visible

Parameters ON/1 – Display is on
OFF/0 – Display is off

Reset Value On

Examples "DISP ON": Turns on the VFD display
"DISP:WINDOW:STATE?" A response of 0 means that the VFD display is turned off

:FORMat:SREGister ASCii|BINary|HEXadecimal|OCTal :FORMat:SREGister?

Description Sets the data type of the response to queries for status subsystem registers

Parameters

ASCii	ASCII standard numeric format
BINary	Encoded as numeric, base 2, preceded by '#B'
HEXadecimal	Encoded as numeric, base 16, preceded by '#H'
OCTal	Encoded as numeric, base 8, preceded by '#Q'

Notes All status, condition and event requests respond in the selected radix

Reset Value ASCii

Examples :FORMat:SREG BIN;*STB? May respond with '#B11001'
:FORMat:SREGister? A response of HEXIDECIMAL means status subsystem responses will be in hexadecimal encoding

:MEASure[:SCALar]:CURRent?

Description Reports measured pulse current

Responses Current in amps

Notes Useful during a slow trigger to determine where in the ramp on the current is set

Examples "MEAS:CURR?" A response of 1.00 means that the instrument is measuring 1 Amp of pulsed current

:OUTPut[:STATe] ON|OFF|1|0 :OUTPut[:STATe]?

Description Controls whether the output is enabled or not

Parameters ON/1: Turns the output on
OFF/0: Turns the output off

Notes This is an overlapped command and has a two second delay on turn on. Turn off is immediate. The output on bit 8 in the operation status register can be used to determine the actual point that the output is turned on, or if it has automatically shut off due to an error condition. Additionally, *OPC? Or *WAI may be used to determine the time when the output reaches setpoint.

Reset Value OFF

Examples "OUTP?" A response of 0 means that the pulse output is off
"OUTP ON" Enables pulse output

:OUTPut:DELay <seconds> :OUTPut:DELay?

Description Sets the delay between the output pulse and the trigger out

Parameters None

Notes The value must be between 0 and 655.35e-6. The resolution is 10ns and will be rounded to the nearest value.
There will be no trigger out signal if the delay is longer than the period of the pulse signal.

Reset Value 0

Examples "OUTP:DEL 0.00035858." Sets the trigger out delay to 358.58 microseconds
"OUTPUT:DELAY?" A response of 4.704E-05 means that the trigger out delay output is 47.04 microseconds

[SOURce]:CURRent[:LEVel] <amps>|UP|DOWN **[SOURce]:CURRent[:LEVel]?**

Description Controls the pulse setpoint

Parameters <amps> Sets the output in amps to a specific value
UP/DOWN Increments or decrements the current setpoint by the value in :[SOURce]:CURRent:STEP

Notes The range for this is 0 to 5 Amps, if you set a value higher than [SOURce]:CURRent:LIMit, the value will be clipped at the limit and a current warning questionable status will be set.

Reset Value 0

Examples "CURR 4.5" Sets pulse output current setpoint to 4.5 A
"CURR 0.2; CURR:STEP 0.1; CURR UP" Sets bias current to 200mA; sets bias current step to 100mA; increases bias current setpoint to 300mA
"CURR:LEV?" A response of 0.21 means the output current setpoint is 210 mA

[SOURce]:CURRent:LIMit <amps> **[SOURce]:CURRent:LIMit?**

Description Controls the pulse current limit

Parameters <amps> Specified hardware and set point current limit.

Notes The current limit sets independent hardware monitoring of the current. Due to overshoot and accuracy limitations, this will usually need to be set higher than the current setpoint. Setting the limit to a value lower than the [SOURce]:CURRent[:LEVel] will result in the setpoint clipping at the value of the limit and the current warning questionable status will be set.

Reset Value 5.50 Amps

Examples "CURR:LIM 4.5" Sets pulse output current limit to 4.5 A
"CURR2:LIM?" A response of 0.35 means that the bias current limit is 350 mA

[SOURce]:CURRent:STEP <amps> **[SOURce]:CURRent:STEP?**

Description Controls the pulse current step size in amps

Parameters <amps> The step size, ranging from 0.01 to 5.00

Notes Use [SOURce]:CURRent[:LEVel] UP|DOWN to step the current after setting the step amount

Reset Value 0.01 A

Examples "CURR2 0.2; CURR2:STEP 0.1; CURR2 UP" Sets bias current to 200mA; sets bias current step to 100mA; increases bias current setpoint to 300mA

[SOURce][:PULSe]:DCYCLE <percent> [SOURce][:PULSe]:DCYCLE?

Description	Controls the duty cycle in % of the pulses
Parameters	<percent> The duty cycle percentage to be used for immediate trigger mode
Notes	The percent must be in the range of 0.01 to 5.00. This is a coupled command with [SOURce][:PULSe]:PERiod and [SOURce][:PULSe]:WIDTh. This command will not change the period , but will change the width to adjust to this setpoint. Changes that would cause the width to go out of the specified range will cause an execution error. In some cases when the period and width specify a duty cycle less than 0.01% this will report 0 as its set point
Reset Value	PERiod = 500us, WIDTh = 500ns, DCYCLE = 1%
Examples	"DCYC?" A response of 0.30 means that the duty cycle is 0.30%

[SOURce][:PULSe]:DELay <seconds> [SOURce][:PULSe]:DELay?

Description	Controls the delay between the trigger in signal and the pulse output generated
Parameters	<seconds> The input trigger delay
Notes	The value must be between 0 and 655.35e-6. The resolution is 10ns and will be rounded to the nearest value. If the [SOURce][:PULSe]:DELay is longer than the pulse period, there will be no output
Reset Value	0
Examples	"DEL 0.000535" Sets the trigger in delay to 535 microseconds

[SOURce][:PULSe]:HOLD DCYCLE|WIDTh [SOURce][:PULSe]:HOLD?

Description	Controls whether the pulse duty cycle or width parameter is held constant while changing the period.
Parameters	Specifies which pulse parameter is held constant when the period changes
Reset Value	WIDTh
Examples	"HOLD DCYCLE" The duty cycle will remain unchanged when the period is changed

[SOURce][:PULSe]:PERiod <seconds> [SOURce][:PULSe]:PERiod?

Description	Controls the pulse period in seconds
Parameters	<seconds> The pulse repetition period when in immediate trigger mode
Notes	The seconds must be in the range of 500e-9 to 1e-3. This is a coupled command with [SOURce][:PULSe]:DCYCLE and [SOURce][:PULSe]:WIDTh. This command will change the parameter that is not defined in [SOURce][:PULSe]:HOLD in order to set the new period . Set points that cause the duty cycle or width to exceed their specified ranges will cause an execution error.

Reset Value 50 microseconds

Examples "PERIOD 2E-6" Sets the pulse period to be 2 us
"PER?" A response of 0.0002 means that the period is 200 us

[SOURce][:PULSe]:WIDTh <seconds> [SOURce][:PULSe]:WIDTh?

Description Controls the pulse width

Parameters <seconds> The output current pulse width in seconds

Reset Value The seconds must be in the range of 25e-9 to 1e-6. This is a coupled command with [SOURce][:PULSe]:DCYClE and [SOURce][:PULSe]:PERiod. This command will not change the **period**, but will change the **duty cycle** to adjust to this set point. Changes that would cause the **duty cycle** to go out of the specified range will cause an execution error.

Reset Value 500e-9

Examples WIDTH 2E-7 Adjust pulse width to 200 ns
WIDTH?" A response of 3E-8 means that the pulse width is 30 ns

STATus:OPERation[:EVEnt]?

Description Read the operational event register

Notes This register requires that the associated PTR or NTR filters are set before the condition register bit can set the event register. The data in this register is latched until it is queried. Querying the register clears the data, ensuring that no events are missed between subsequent reads of the register.

*CLS will also clear this register

There are two operation events enabled in the LDP-3830:
Bit 1 = Settling meaning that the current, pulse width or period is settling on the setpoint
Bit 8 = Output On meaning that the output is currently on

See Figure 3.2 for a description of the operational status registers

Examples "STAT:OPER?" A response of 256 means that there has been an "Output On" event

STATus:OPERation:COND?

Description Read the operational status condition register.

Notes This will report the current status of the two enabled operation condition bits:
Bit 1 = Settling, the current, pulse width or period is settling on the setpoint.
Bit 8 = Output On, the output is currently on.

Use the **STATus:OPERation:NTRansition** and **STATus:OPERation:PTRansition** filters to enable the associated event register.

Reset Value 0

Examples "STAT:OPER:COND?" --response 256, means that the output is currently on

STATus:OPERation:ENABLE <integer> STATus:OPERation:ENABLE?

Description	Controls which OPERation events causes summary bit 7 of the status byte to be set
Parameters	Value between 0 and 32767, representing the bits of the operation event enable register when expressed in base 2 binary format
Notes	When a bit in this register is set, along with the corresponding bit in the operation event register, bit 7 will be set in the status byte. This register is cleared at power on when *PSC is set to 1. There are two bits used in the LDP-3830: Bit 1 = Settling can be used to determine when the current, pulse width or period is done settling event has occurred Bit 8 = Output On can be used to determine when the output on/off event has occurred
Reset Value	Not Affected by *RST
Examples	"STAT:OPER:ENAB 256" Enables the "Output On" events report to the status byte

STATus:OPERation:NTRansition <integer> STATus:OPERation:NTRansition?

Description	Controls the operational status negative transition filter register
Parameters	Value between 0 and 32767, representing the bits of the operational status negative transition filter register when expressed in base 2 binary format
Notes	Causes the corresponding bit in the operational status event register to be set when the corresponding bit in the operation event condition register transitions from a '1' to a '0' There are two bits used in the LDP-3830: Bit 1 = Settling creates an event when the current, pulse width or period is done settling on the setpoint Bit 8 = Output On creates an event when the output shuts off
Reset Value	0
Examples	"STAT:OPER:NTR 256" Enables an event when the output shuts off

STATus:OPERation:PTRansition <nrf value> STATus:OPERation:PTRansition?

Description	Controls the Operational Status Positive Transition Filter register
Parameters	Value between 0 and 32767, representing the bits of the Operational Status Positive Transition Filter register when expressed in base 2 binary format
Notes	Causes the corresponding bit in the operational status event register to be set when the corresponding bit in the operation event condition register transitions from a '0' to a '1' There are two bits used in the LDP-3830: Bit 1 = Settling creates an event when the current, pulse width or period is starts to settling on the setpoint Bit 8 = Output On creates an event when the output turns on
Reset Value	32767
Examples	"STAT:OPER:PTR 256" Enables an event when the output turns on

STATus:QUESTIONable[:EVENT]?

Description	Read the questionable event register
Notes	<p>This register requires that the associated PTR or NTR filters are set before the condition register bit can set the event register. The data in this register is latched until it is queried. Querying the register clears the data, ensuring that no events are missed between subsequent reads of the register.</p> <p>*CLS will also clear this register</p> <p>There are eight questionable events enabled in the LDP-3830: Bit 0 = Voltage Warning Bit 1 = Current Warning Bit 2 = Timing Warning Bit 5 = Frequency Warning Bit 9 = Pulse Board Error Bit 10 = Interlock 1 Bit 11 = Interlock 2 Bit 14 = Command Warning</p> <p>See Figure 3.2 for a description of the questionable status registers</p>
Examples	"STAT:QUES?" A response of 2048 means that there has been an Interlock 2 event

STATus:QUESTIONable:COND?

Description	Read the questionable status condition register
Notes	<p>This will report the current status of the eight enabled questionable condition bits: Bit 0 = Voltage Warning means the compliance voltage of the device won't allow the current to get to set point Bit 1 = Current Warning means the current is not at the set point due to device conditions Bit 2 = Timing Warning means the internal clock has not achieved phase lock Bit 5 = Frequency Warning means the internal clock has not achieved phase lock Bit 9 = Pulse Board Error means the pulse board is either removed from the instrument or is incompatible with the instrument Bit 10 = Interlock 1 means that Interlock 1 is closed or in the TTL low state Bit 11 = Interlock 2 means that Interlock 2 is open Bit 14 = Command Warning means that a current set point was sent, but was limited by the current limit or that the exact duty cycle sent down was not obtainable due to the period and width resolution. These are not fatal warnings that indicate that the state is probably expected but may deviate in some manner.</p> <p>Several of these conditions will cause the instrument to turn off therefore clearing the condition; this will cause an event if either transition filter is enabled. Some of these like the pulse board error and interlock conditions can be used to inform an operator if the system is ready to be run.</p> <p>Use the STATus:QUESTIONable:NTRansition and STATus:QUESTIONable:PTRansition filters to enable the associated event register</p>
Examples	"STAT:QUES:COND?" A response of 2048 means that Interlock 2 is open

STATus:QUESTIONable:ENABLE <integer> STATus:QUESTIONable:ENABLE?

Description	Controls which questionable events cause summary bit 3 of the status byte to be set
Parameters	Value between 0 and 32767, representing the bits of the questionable event enable register when expressed in base 2 binary format
Notes	When a bit in this register is set, along with the corresponding bit in the questionable event register, bit 3 will be set in the status byte. This register is cleared at power on when *PSC is set to 1.

There are eight bits used in the LDP-3830:

Bit 0 = Voltage Warning
Bit 1 = Current Warning
Bit 2 = Timing Warning
Bit 5 = Frequency Warning
Bit 9 = Pulse Board Error
Bit 10 = Interlock 1
Bit 11 = Interlock 2
Bit 14 = Command Warning

Reset Value Not Affected by *RST

Examples "STAT:QUEST:ENAB 16384" Command Warning events report to the status byte

STATus:QUESTionable:NTRansition <integer> STATus:QUESTionable:NTRansition?

Description Controls the operational status negative transition filter register

Parameters Value between 0 and 32767, representing the bits of the operational status negative transition filter register when expressed in base 2 binary format

Notes Causes the corresponding bit in the operational status event register to be set when the corresponding bit in the operation event condition register transitions from a '1' to a '0'

There are eight bits used in the LDP-3830:

Bit 0 = Voltage Warning
Bit 1 = Current Warning
Bit 2 = Timing Warning
Bit 5 = Frequency Warning
Bit 9 = Pulse Board Error
Bit 10 = Interlock 1
Bit 11 = Interlock 2
Bit 14 = Command Warning

Reset Value 0

Examples "STAT:QUES:NTR 256" Enables an event when the output shuts off

STATus:QUESTionable:PTRansition <nrf value> STATus:QUESTionable:PTRansition?

Description Controls the operational status positive transition filter register

Parameters Value between 0 and 32767, representing the bits of the operational status positive transition filter register when expressed in base 2 binary format

Notes Causes the corresponding bit in the operational status event register to be set when the corresponding bit in the operation event condition register transitions from a '0' to a '1'

There are eight bits used in the LDP-3830:

Bit 0 = Voltage Warning
Bit 1 = Current Warning,
Bit 2 = Timing Warning
Bit 5 = Frequency Warning
Bit 9 = Pulse Board Error
Bit 10 = Interlock 1
Bit 11 = Interlock 2
Bit 14 = Command Warning

Reset Value 32767

Examples "STAT:QUES:PTR 256" Enables an event when the output turns on

SYSTem:ERRor[:NEXT]?

Description	Returns first error in the error queue. The errors are identified by a number and string descriptor separated by a comma. Refer to Chapter 4 for information regarding error handling and Chapter 6 for error code explanations.
Parameters	None
Notes	The response data will be the first error in the queue. Each time an error is read, it is removed from the queue. If the queue is first in, first out, if the queue overflows, the last error is replaced with error "-350, "Queue overflow"". If the error queue is empty, then '0, "No error"' will be returned. *CLS shall clear the error queue
Reset Value	*RST does not affect the error queue.
Examples	"ERR?" A response of 0,"No error"\n means that no errors have been reported

SYSTem:PRESet

Description	Performs a device reset and sets the OCIS and OQIS states
Parameters	None
Notes	Performs the same function as *RST

SYSTem:PTYPE?

Description	Reads the pulse board ID string
Parameters	None
Notes	Querying the pulse board ID string when no pulse board is connected will generate error 531, "Pulse board not connected"
Examples	"SYST:PTYPE?" A response of "ILX Lightwave,LPB-386,3861001,0\n" means a LPB-386 Pulse board with serial number 3861001 is connected "SYSTEM:PTYPE?" A response of "ILX Lightwave,0,0,0\n" means that no pulse board is connected

TRIGger:SOURce IMMEDIATE|EXTERNAL TRIGger:SOURce?

Description	Configures the source for pulse generation
Parameters	IMMEDIATE: Pulses are generated based on the timing signal coming from the period command EXTERNAL: A pulse is generated on the rising edge of the trigger in signal
Notes	[SOURce][:PULSe]:DELay sets the delay between the trigger in and the pulse output when using an external source. If the trigger input occurs that would cause the output to violate the maximum 5% duty cycle, that trigger edge will be ignored and a pulse will be generated on the next trigger edge that won't violate the duty cycle specification.
Reset Value	IMMEDIATE
Examples	"TRIG:SOUR external" Places the unit in external trigger operation "TRIG:SOUR?" A response of 0 means that the instrument is set to external trigger mode; a response of 1 means that the instrument is set to immediate trigger mode.

Chapter 5 : Troubleshooting

This chapter is to help you resolve problems quickly. If you need help, contact ILX Lightwave Customer Service. See page viii for contact information.

ILX Lightwave Corporation provides in-house and on-site calibration services for ILX instruments. Most ILX instruments, including the LDP-3830 require yearly calibration to ensure performance to published specifications. ILX factory calibrations employ NIST traceable measurement instrumentation and our calibration engineers and technicians use automated test equipment to accurately and efficiently capture and record calibration data. An original certificate of calibration authenticity is provided with all instrument calibrations and a detailed report showing any pre-calibration out-of-tolerance conditions is available upon request.

Calibration turn-times are normally five business days or less. On-site calibrations can be performed around your production schedule, night or day, seven days a week. Please contact ILX Customer Support (see Comments, Suggestions, and Problems on page viii for contact information) for additional calibration information.

For further assistance with technical solutions and troubleshooting, visit the www.ilxlightwave.com Support page (www.ilxlightwave.com/support/index.html), and the Library page (www.ilxlightwave.com/library/index.html) for Application Notes and Technical Notes.

Troubleshooting Guide

This section lists some common problems and corrective actions. The corrective actions may not solve the problem; in which case, you should contact ILX Lightwave.

For a comprehensive list of frequently asked questions, see the ILX Lightwave website or contact ILX Lightwave Customer Service (see Comments, Suggestions, and Problems on page viii for contact information).

Symptom	Corrective Action
The instrument does not power up	<p>Check the power cord to make sure that it is properly connected and check the wall outlet by connecting to operational instrument.</p> <p>Check the rear panel marking to make sure that the unit is configured for the line voltage applied. Improper line voltage will cause the internal fuses to blow, and it will need to be returned to an ILX Lightwave service center for repair.</p>
Unit Reads: "Current Limit"	This is due to a current limit. See the end of chapter 2 for an explanation of the current limit.
Unit Reads: "Internal Communication Error"	E-555 is the internal communication error indicating that the LDP-3830 platform is not functioning correctly. Often this may be corrected by cycling the power. If the problem persists, the instrument must be returned to ILX Lightwave for repair.
Unit Reads: "Cable Interlock"	<p>Check to ensure the CC-385 cable is securely screwed to both the LDP-3830 and LDP-386. A loose CC-385 cable can cause permanent damage to either the LDP-386 or laser.</p> <p>The cable interlock is extremely sensitive in order to detect cable disconnects as soon as possible, therefore additional cable interlock errors can result from changing the monitor switch during operation, or electro-static discharge onto the cable or the LPB-386 pulse enclosure. To prevent potential damage to the laser ILX advises turning the output off prior to changing the monitor switch.</p>
Output is not tracking the external trigger	<p>Check the trigger in delay. If it is larger than period that you are sending pulses, then there will be no pulses on the output.</p> <p>Make sure that your trigger in is at the proper level. If the signal is too low, it may not detect the signal.</p> <p>Check to make sure that you are not providing a trigger in signal that violates the 5% duty cycle. Triggers that occur within the 5% duty cycle window will be ignored.</p>
Instrument is displaying multiple errors at once	<p>This usually is due to multiple faults detected at the same time such as Interlock 1 closed and Interlock 2 open at the same time.</p> <p>If there are multiple errors including "Internal</p>

	<p>Communication Error”, it often means that there was a brown out that caused the pulsing subsystem to reset, but didn’t shut down the instrument completely. Cycle the power to correct this issue.</p>
<p>Can’t adjust using the front panel</p>	<p>Due to command coupling, you may be violating the constraints of another parameter. For instance if you are in hold PRI mode, and the PRI is set to 500ns, and you try to adjust the pulse width, it will seem to be stuck at 25ns, because 25ns is the lower limit for pulse width and any higher pulse width would violate the 5% duty cycle limitation. Adjust the PRI to a higher value first than pulse width can be adjusted.</p> <p>If the unit has been remotely operated, the Recall/Local button in the lower left of setup section needs to be pressed in order to return the unit from remote operation and allow the front panel to work.</p> <p>The adjustment knob has a three second timeout of inactivity. If this period has elapsed the “Adjust” led will de-illuminate. To re-enable adjustment, either press the parameter button again or press the button under the “Adjust” led.</p>
<p>Pulse Board Error</p>	<p>This error is cause if a LPB-386 is not connected to the CC-385 cable or if there is a loose connection. Ensure the LPB-386 is connected and the CC-385 is firmly connected to the output connectors.</p> <p>If this problem persists please contact ILX Lightwave for further assistance.</p>

Error Messages

Error messages may appear on the LDP-3830 display when error conditions occur in the instrument. In remote operation, use or SYST:ERR? to read the latest error.

Error Code Tables

The error codes are classified and placed in tables corresponding to their classification. The classifications are Command Errors, Execution Errors, Device Errors, Query Errors and Instrument Specific Errors.

Table 5.1 - Command Errors

Error Code	Explanation
-104	Data type error
-108	Parameter not allowed
-113	Undefined header
-115	Unexpected number of parameters
-121	Invalid character in number
-123	Exponent too large
-151	Invalid string data
-160	Block data error
-161	Invalid block data

Table 5.2 - Execution Errors

Error Code	Explanation
-220	Parameter error
-222	Data out of range

Table 5.3 - Device Errors

Error Code	Explanation
-311	Memory error

Table 5.4 - Query Errors

Error Code	Explanation
-410	Query interrupted
-420	Query unterminated

Table 5.5 - Instrument Specific Errors

Error Code	Explanation
530	Pulse Board Error
531	Pulse Board not connected
552	Cable Interlock
553	Pulse Current Limit
554	Output over voltage
555	Internal Comm. Error
557	Interlock 1
558	Interlock 2