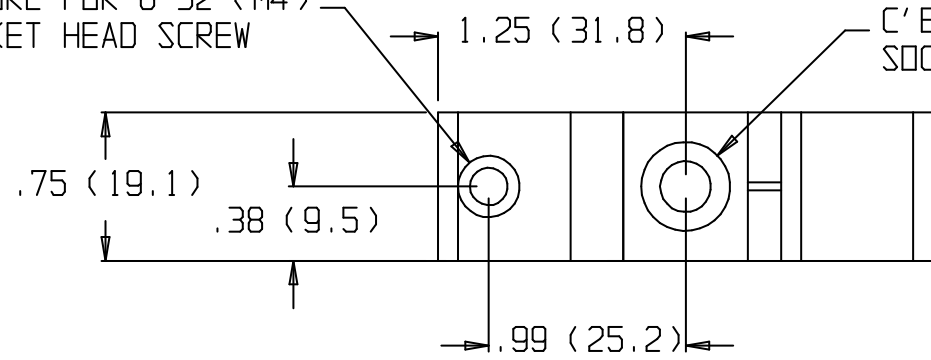


DIA .19 (4.8) THRU
C' BORE FOR 8-32 (M4)
SOCKET HEAD SCREW

DIA .26 (6.5) THRU
C' BORE FOR 1/4-20 (M6)
SOCKET HEAD SCREW



9025 MODULAR PLATE

