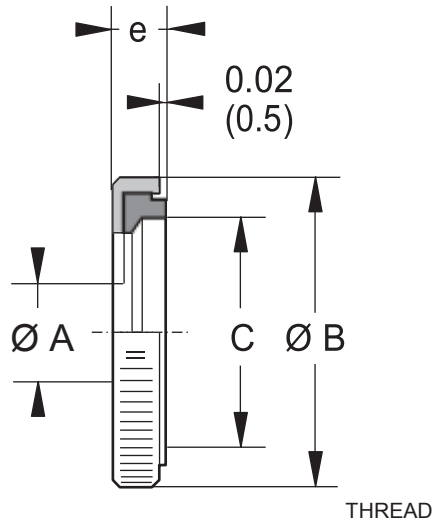
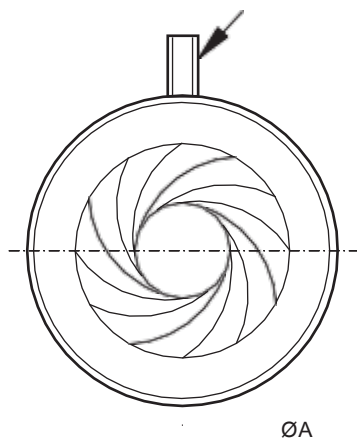


Aperture adjustment,  
M4 thd



MODEL	MIN in. (mm)	MAX in. (mm)	ØB in. (mm)	C	e in. (mm)
M-DI47.50	0.20 (5.0)	1.93 (49)	2.64 (67)	M55 x 0.75	0.47 (12)
M-DI47.68	0.28 (7.0)	2.87 (73)	3.82 (97)	M75 x 1.00	0.47 (12)