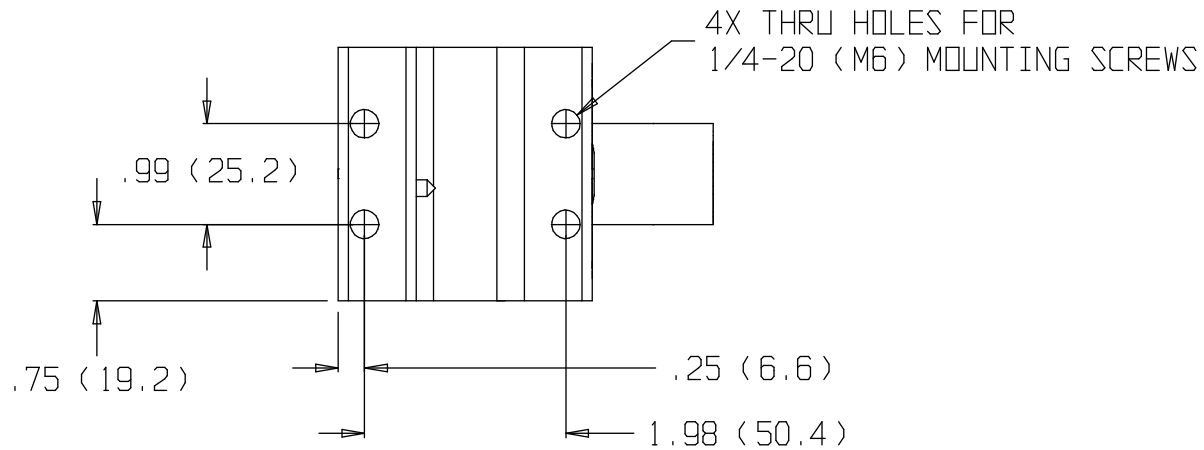
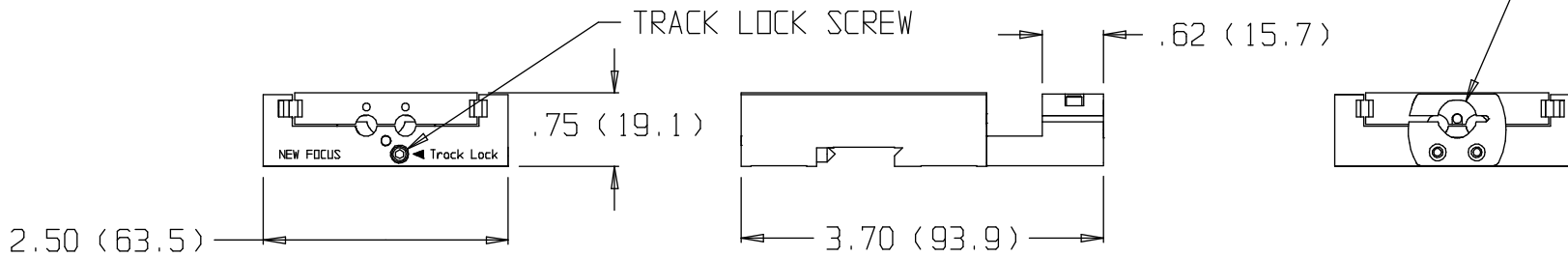
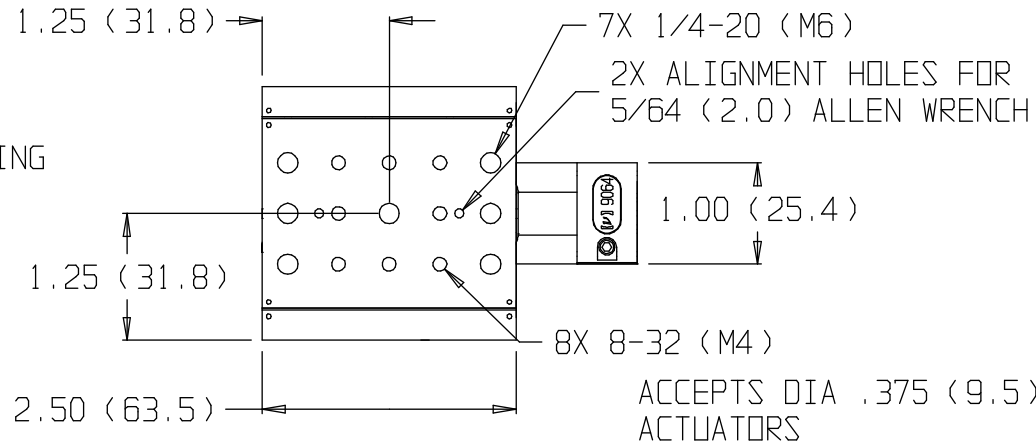


NOTES:

- 1) TRACK LOCK SCREW AND MICROMETER CLAMP ACCEPT 5/64" (2.0) ALLEN WRENCH
- 2) ENGLISH MOUNTING HOLES ON 1/2" GRID. METRIC MOUNTING HOLES ON 12.5MM GRID



9064-X(M) TRANSLATION STAGE

