

Package Contents:

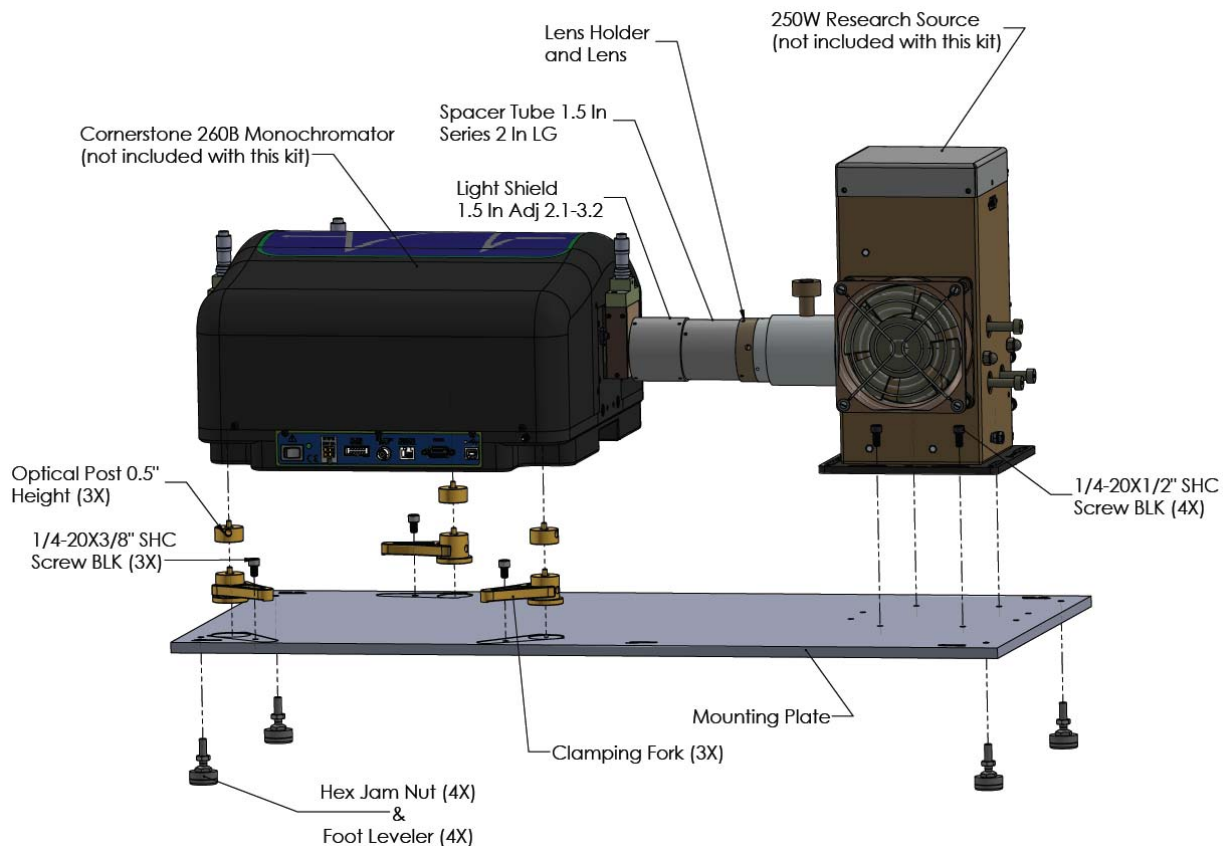
This package contains the following components:

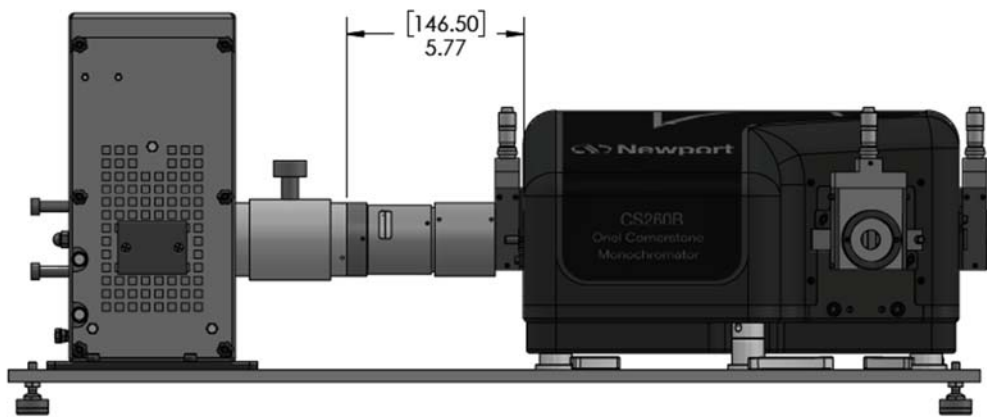
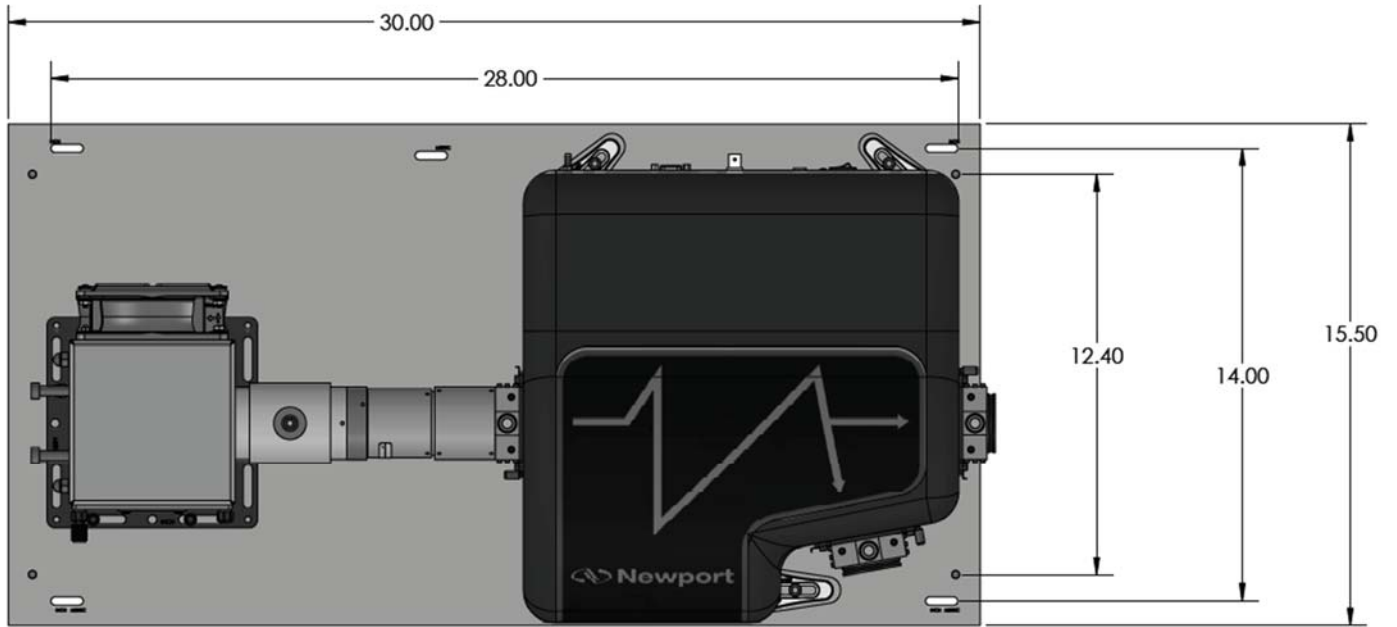
- 1 ea – Mounting Plate
- 3 ea – 0.5 Inch Post Extender
- 3 ea – Clamping Fork
- 4 ea – Foot Leveler
- 4 ea – Hex Jam Nut
- 1 ea – Lens Holder
- 1 ea – Lens
- 2 ea – Red Caps
- 3 ea – ¼-20 x 3/8" SHC Screw (Black Oxide)
- 4 ea – ¼-20 x ½" SHC Screw (Black Oxide)
- 1 ea – Spacer Tuber 1.5 In Series 2 In LG
- 1 ea – Light Shield 1.5 In Adj 2.1-3.2 In

Instructions:

This kit is used to secure a Cornerstone 260B to either a 1" grid optical table with ¼"-20 holes or to a Metric table with M6 holes at 25mm spacing.

Assembly View:





Contact customer service if parts are missing or damaged.

Newport Corporation U.S.A.

Office: 800-222-6440

P/N: M74104B REV. A