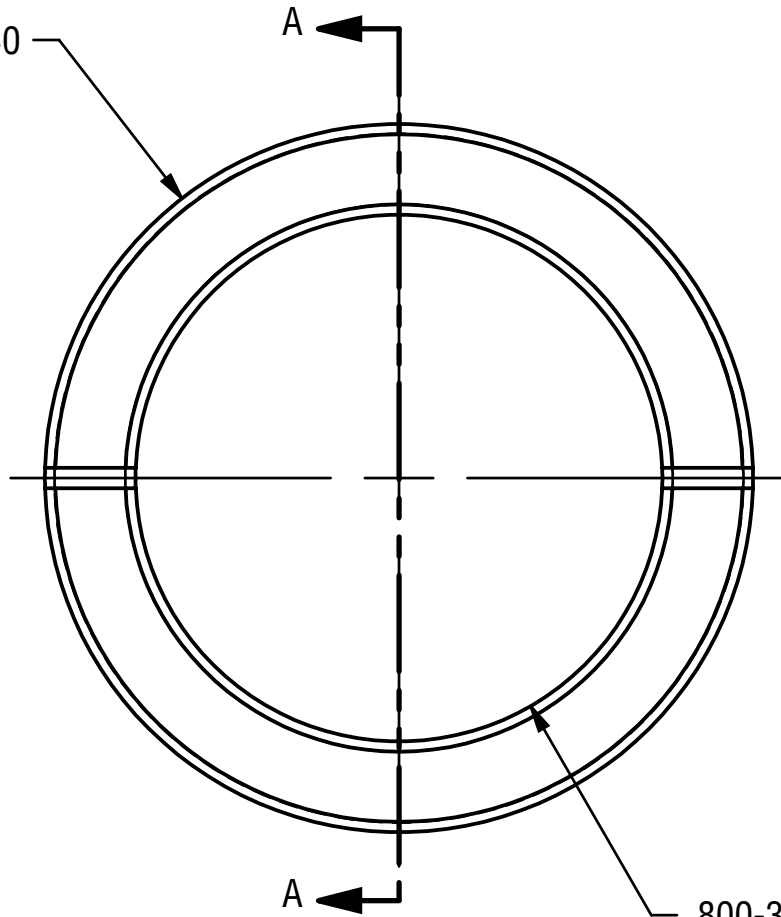


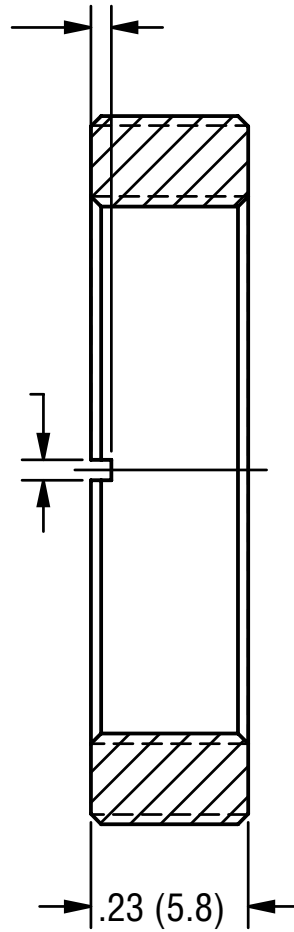
1.035-40



.800-36 Amo thru

2x .03 (.76)

2x .03 (.76)



Section A-A