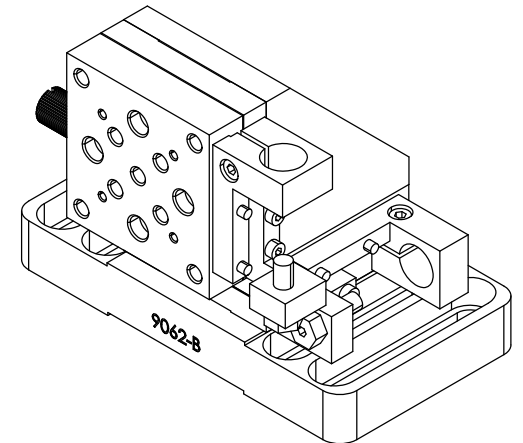
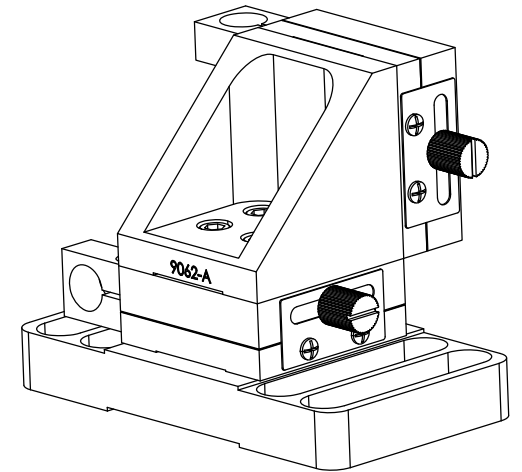
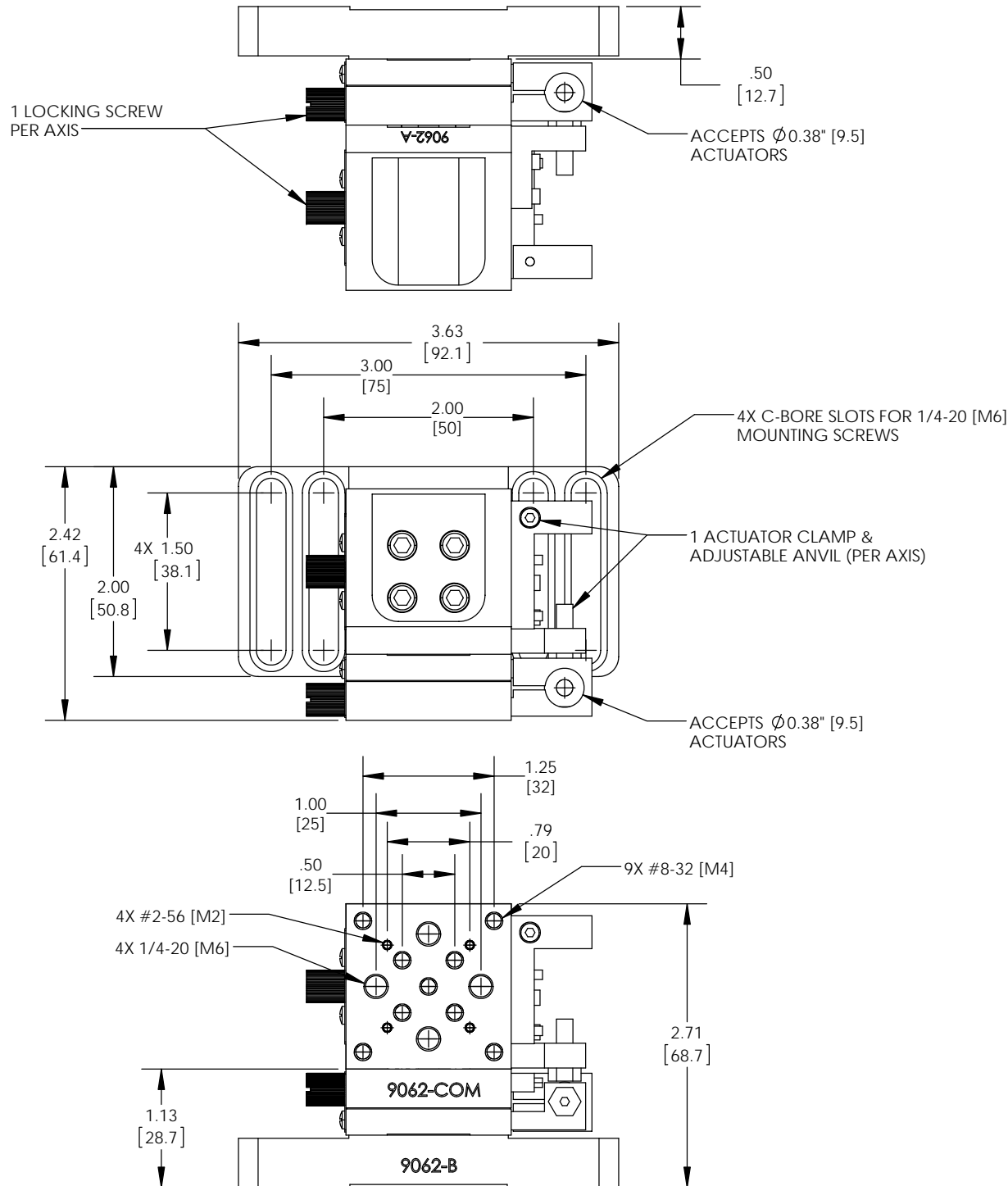


MODEL # 9062-XZ [9062-XZ-M]

Gothic-Arch XZ Translation Stage,
40 x 40mm Platform, 1/4-20 [M6],
#8-32 (M4) Threads.



THIRD ANGLE
PROJECTION