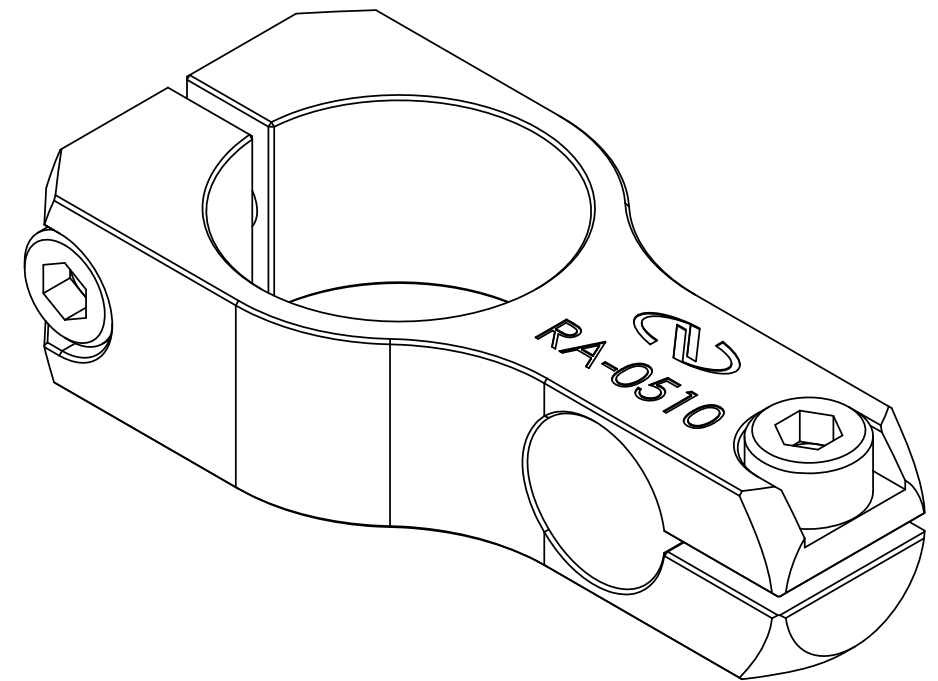
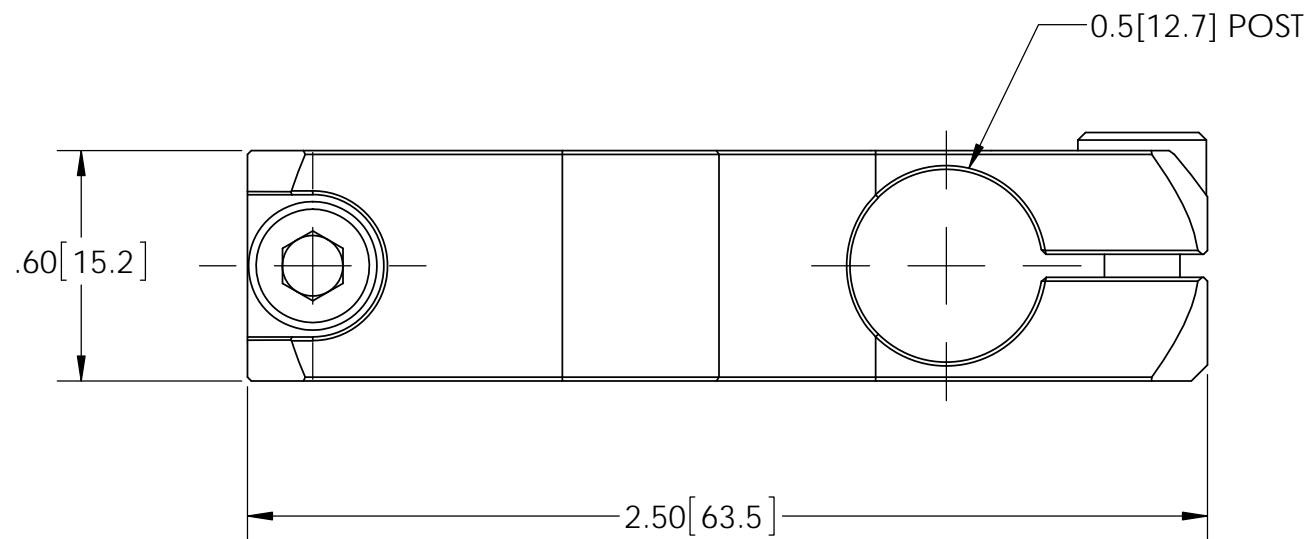


2X 5/32 [4] HEX
FOR POST LOCKING

1.0 [25.4] POST



Newport[®]

Experience | Solutions