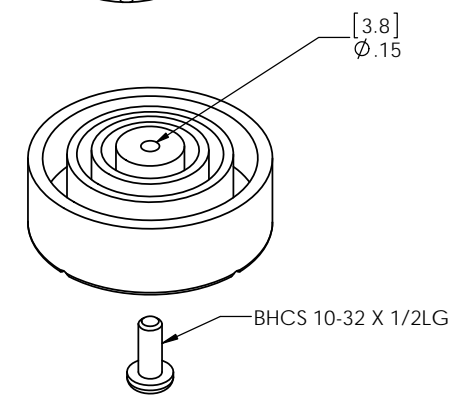
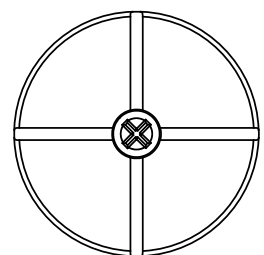


NP-20A-P

NOTE:
1. DIMS IN [] ARE IN mm.



NP-20A

