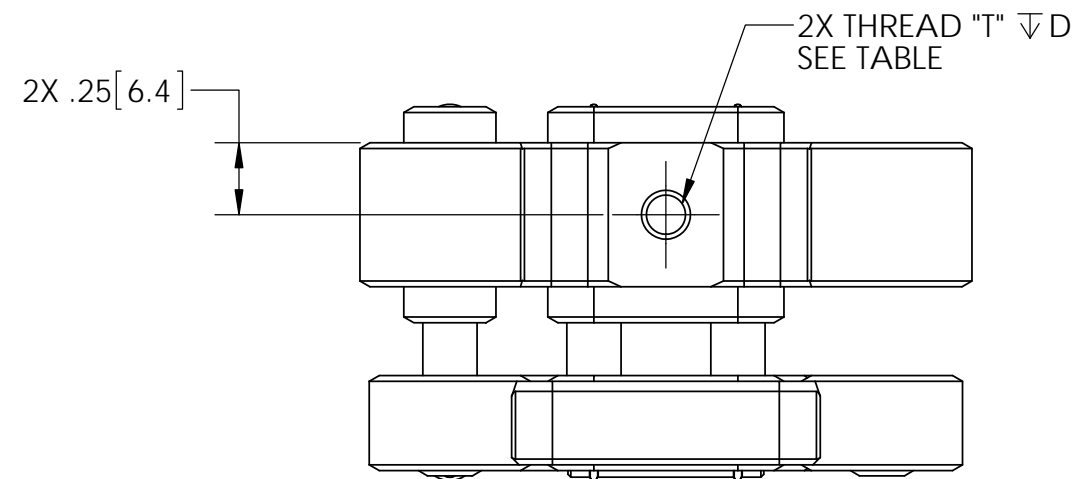


**MODEL: SN100-F & M-SN100-F**



MODEL	THREAD "T"	THREAD DEPTH "D"
SN100-F	8-32 UNC-2B	.320"
M-SN100-F	M4x0.7 -6H	8.13 mm