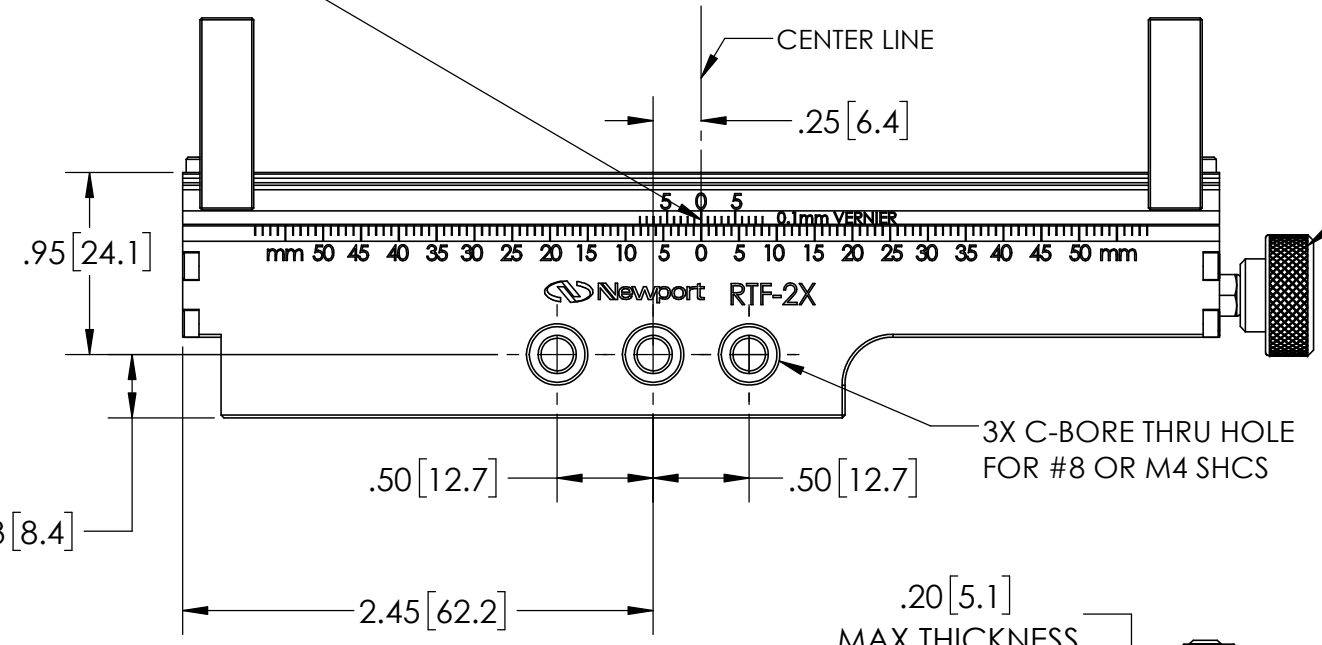
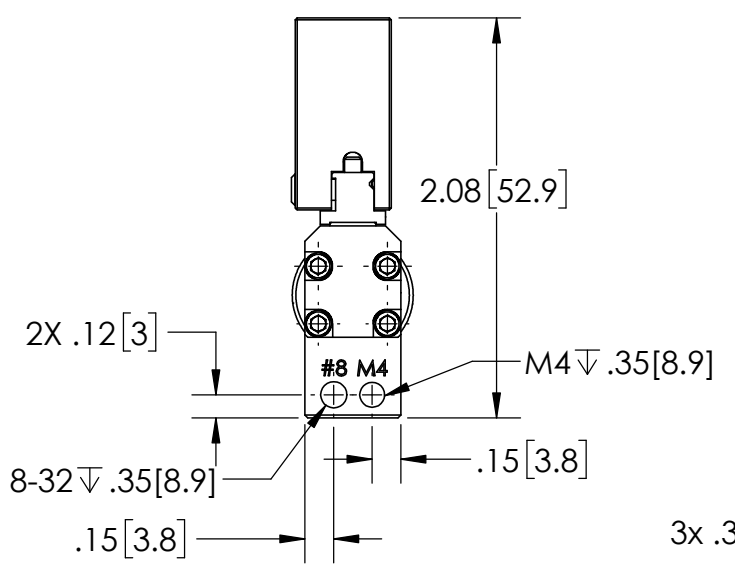


BI-DIRECTIONAL 0.1mm VERNIER SCALE
 50mm TRAVEL TO RIGHT FROM CENTER LINE
 50mm TRAVEL TO LEFT FROM CENTER LINE
 CENTER LINE
 .25 [6.4]

KNOB ADJUST ±50mm TRAVEL FROM CENTER LINE
 AT .04[1mm] PER REVOLUTION
 ALSO 5/64[2] HEX ADJUSTABLE



TOP VIEW

.20 [5.1] MAX THICKNESS

