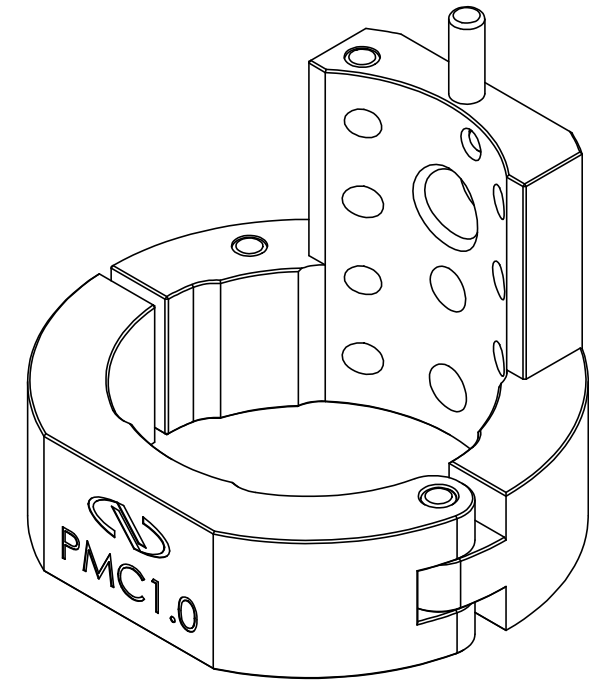
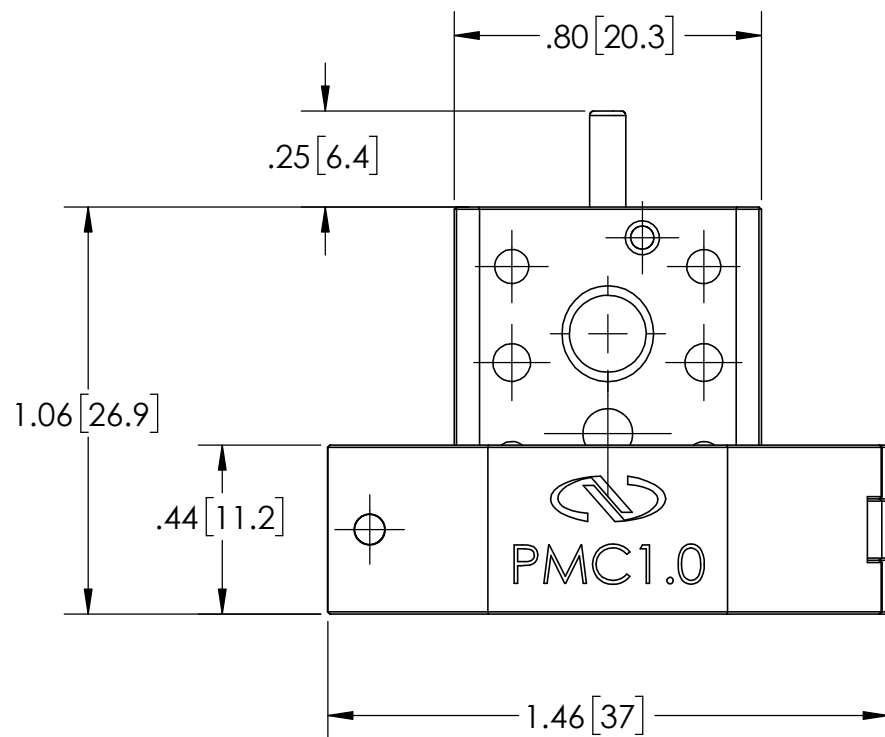


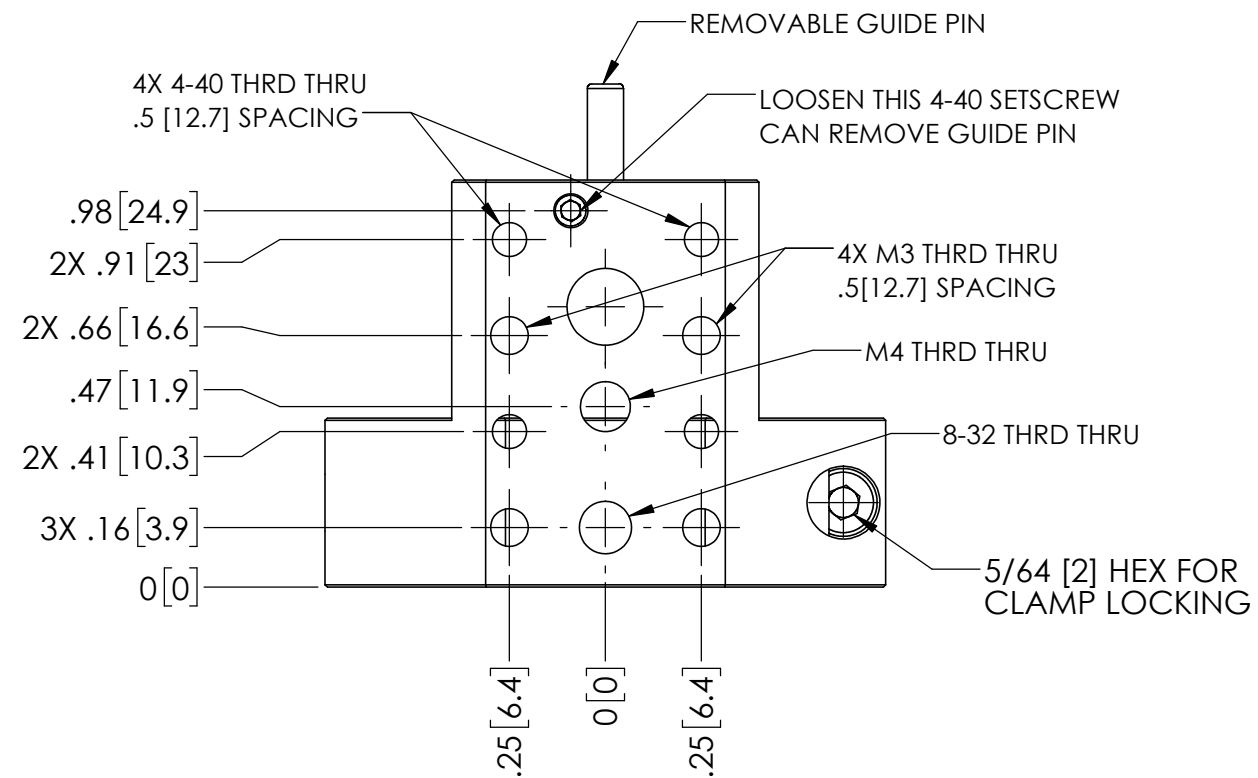
PMC1.0 WITHOUT GUIDE PIN



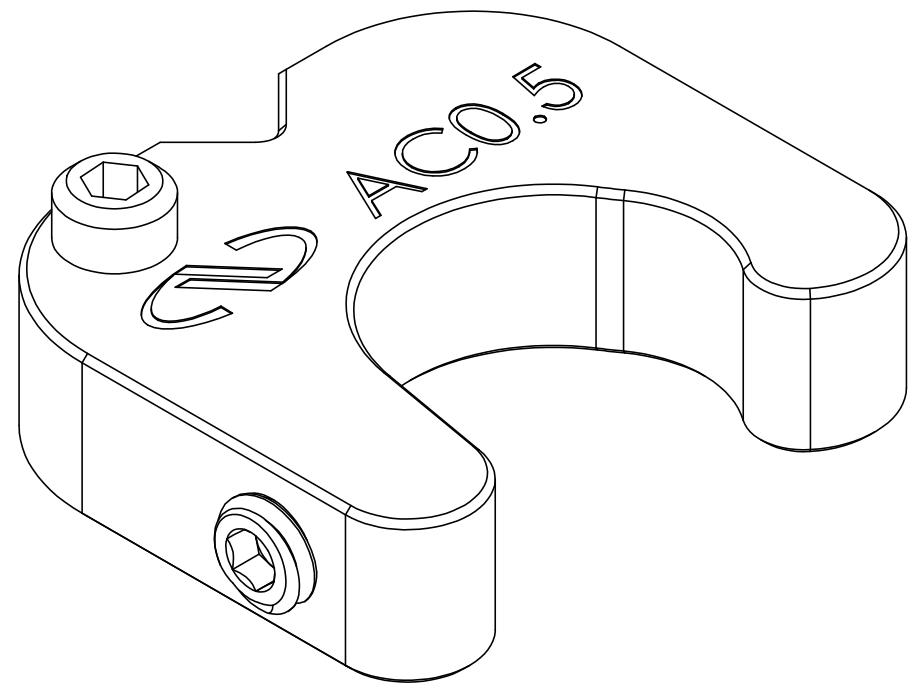
PMC1.0 WITH GUIDE PIN



FRONT VIEW



REAR VIEW



MODEL AC0.5

