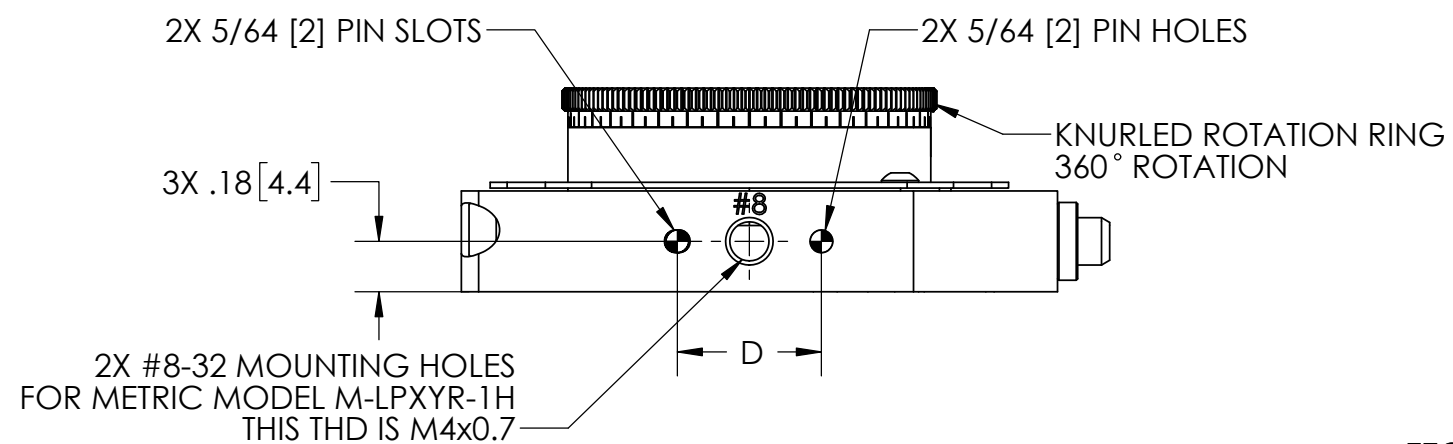
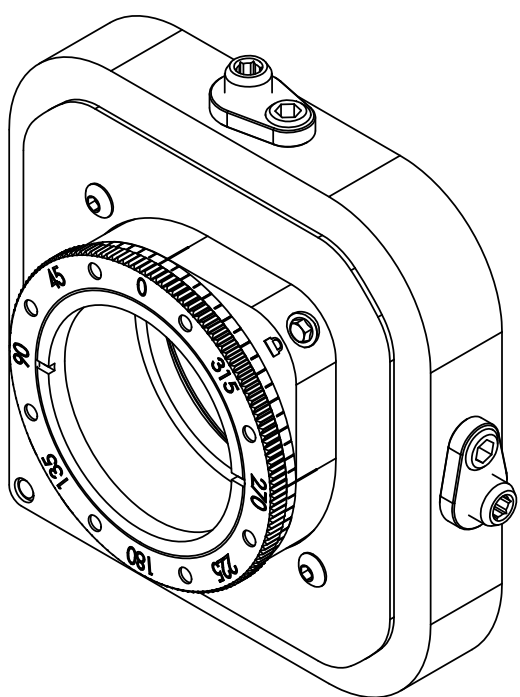


SECTION A-A



MODEL	D in (mm)	MOUNTING HOLE THREAD
LPXYR-1H	0.5 (12.7)	8-32
M-LPXJR-1H	0.47 (12.0)	M4 x 0.7

- TECH SPECS:
1. X / Y TRANSLATION:  $\pm 1.6\text{mm}$  AT  $254\mu\text{m/rev}$ ;  $0.71\mu\text{m}$  SENSITIVITY
  2. 360 DEGREE ROTATION
  3. CLEAR APERTURE:  $\phi .90[22.9\text{mm}]$
  4. OPTICS AXIS HEIGHT:  $1.0[25.4\text{mm}]$
  5. MAX OPTICS EDGE THICKNESS:  $0.40 [10.2\text{mm}]$

MODEL: LPXYR-1H & M-LPXJR-1H

