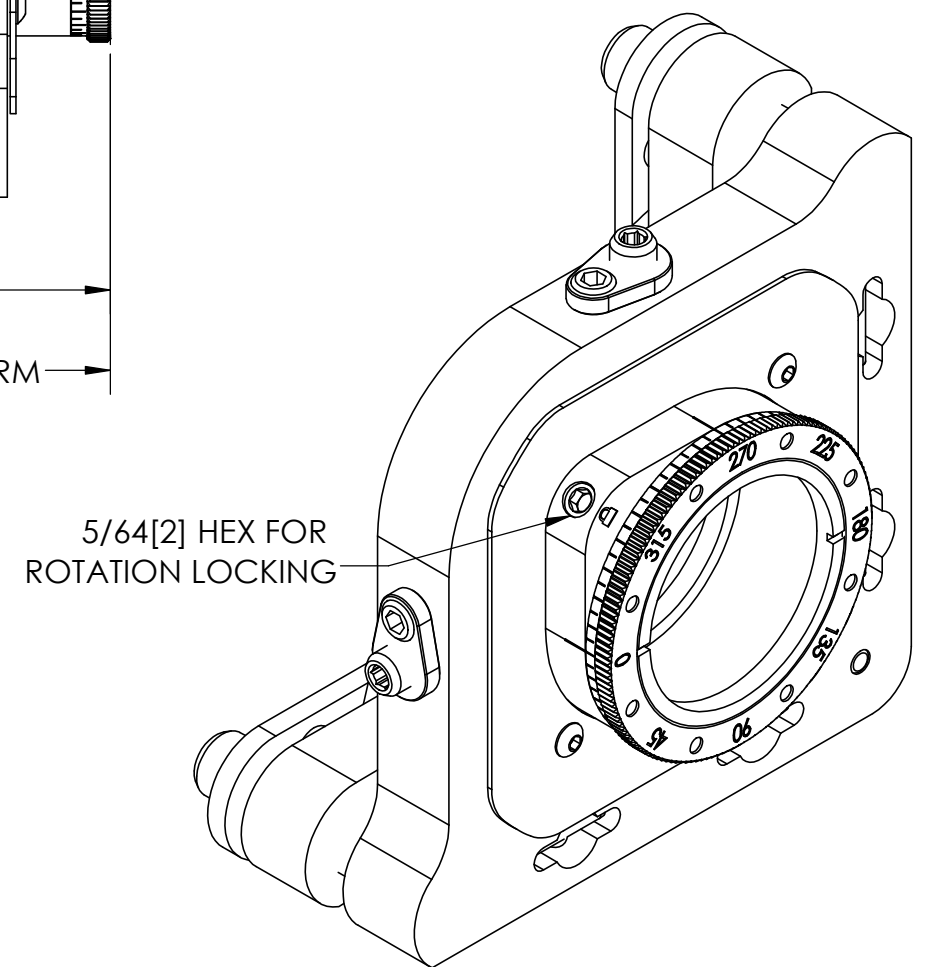


TECH SPECS:

1. PITCH/YAW: $\pm 4^\circ$ AT 5 mrad/rev
2. X / Y TRANSLATION: ± 2 mm AT 254 μ m/rev
3. Z TRANSLATION: $\pm .120$ [3mm] AT 254 μ m/rev
4. MAX OPTICS EDGE THICKNESS: 0.48 [12mm]



MODEL: LP6X-1H