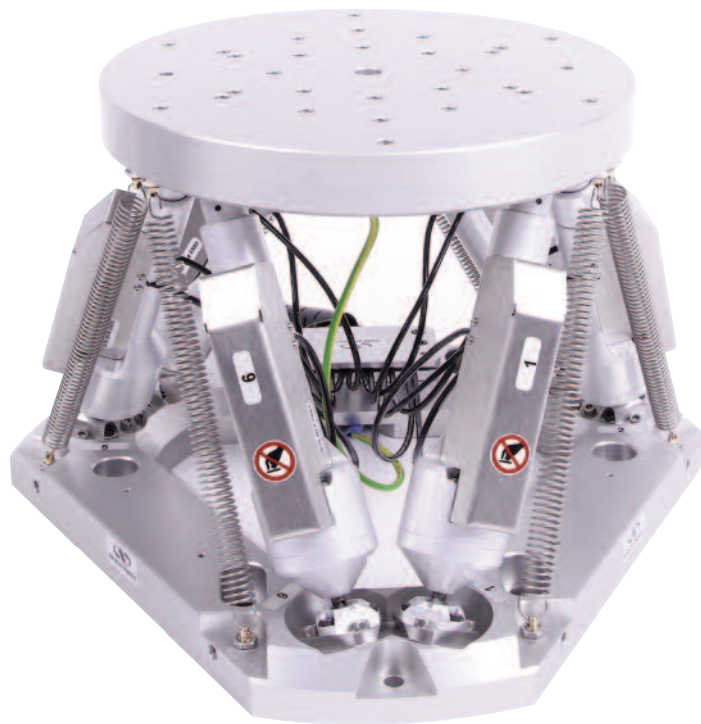




HXP100P-MECA & HXP100PHA-MECA Hexapods

6-Axis-Parallel Kinematic Positioning Systems



 **Newport®**

USER'S MANUAL

Warranty

Newport Corporation warrants this product to be free from defects in material and workmanship for a period of 1 year from the date of shipment. If found to be defective during the warranty period, the product will either be repaired or replaced at Newport's discretion.

To exercise this warranty, write or call your local Newport representative, or contact Newport headquarters in Irvine, California. You will be given prompt assistance and return instructions. Send the instrument, transportation prepaid, to the indicated service facility. Repairs will be made and the instrument returned, transportation prepaid. Repaired products are warranted for the balance of the original warranty period, or at least 90 days.

Limitation of Warranty

This warranty does not apply to defects resulting from modification or misuse of any product or part.

CAUTION



CAUTION

Please return equipment in the original (or equivalent) packing.

You will be responsible for damage incurred from inadequate packaging if the original packaging is not used.

Warranty does not apply to damages resulting from:

- **Incorrect usage:**
 - **Load on the Hexapod greater than maximum specified load.**
 - **Carriage speed higher than specified speed.**
 - **Improper grounding.**
 - **Connectors must be properly secured.**
 - **When the load on the Hexapod represents an electrical risk, it must be connected to ground.**
 - **Excessive or improper cantilever loads.**
- **Modification of the Hexapod or any part thereof.**

This warranty is in lieu of all other warranties, expressed or implied, including any implied warranty of merchantability or fitness for a particular use. Newport Corporation shall not be liable for any indirect, special, or consequential damages.

© 2019 by Newport Corporation, Irvine, CA. All rights reserved.

Original instructions.

No part of this document may be reproduced or copied without the prior written approval of Newport Corporation. This document is provided for information only, and product specifications are subject to change without notice. Any change will be reflected in future publishings.

Table of Contents

Warranty	ii
EC Declaration of Conformity.....	v
Definitions and Symbols.....	vi
Warnings	vii
Caution	viii
<hr/>	
1.0 — Introduction.....	1
<hr/>	
2.0 — Description	2
<hr/>	
3.0 — Characteristics	3
3.1 Mechanical Specifications	3
3.2 Guaranteed Specifications of the HXP100PHA-MECA Version	4
3.3 Max. Cantilever Distance of the Load.....	4
3.4 Weight.....	4
<hr/>	
4.0 — Connection to the HXP100P-ELEC-D or HXP100PHA-ELEC-D Controller.....	5
4.1 Warnings on Controllers	5
4.2 Connection.....	6
4.3 Cables	6
<hr/>	
5.0 — Dimensions	8
<hr/>	
6.0 — Maintenance	9
6.1 Maintenance	9
6.2 Repair	9
<hr/>	
Service Form	11

EC Declaration of Conformity

HXP100P- MECA



EU Declaration of Conformity

following Annex II-1A
of Directive 2006/42/EC on machinery

The manufacturer:

MICRO-CONTROLE Spectra-Physics,
9, rue du Bois Sauvage
91055 Evry CEDEX, FRANCE

Hereby declares that the machinery:

- Description: " HXP100P-MECA "
- Function: 6-Axis Kinematic Positioning System
- Models: HXP100P-MECA; HXP100PHA-MECA.

– the technical file of which was compiled by:

Mr Hervé LE COINTE , Quality Director,
MICRO-CONTROLE Spectra-Physics, Zone Industrielle - B.P.29
F-45340 Beauce La Rolande France

- complies with all the relevant provisions of the Directive 2006/42/EC on machinery.
- complies with all the relevant provisions of the Directive 2014/30/EU relating to electro-magnetic compatibility.
- complies with all the relevant provisions of the Directive 2011/65/EU relating to RoHS2.

– was designed and built in accordance with the following harmonised standards:

- NF EN 61326-1:2013 « Electrical equipment for measurement, control and laboratory use – EMC requirements – Part 1: General requirements »
- NF EN 55011:2010/A1:2011 Class A

– was designed and built in accordance with the following other standards:

- NF EN 61000-4-2
- NF EN 61000-4-3
- NF EN 61000-4-4
- NF EN 61000-4-6

ORIGINAL DECLARATION

Done in Beauce La Rolande on 16 May 2017
Hervé LE COINTE
Quality Director

DC1-EN rev:A

Definitions and Symbols

The following terms and symbols are used in this documentation and also appear on the product where safety-related issues occur.

General Warning or Caution



The exclamation symbol may appear in warning and caution tables in this document. This symbol designates an area where personal injury or damage to the equipment is possible.

The following are definitions of the Warnings, Cautions and Notes that may be used in this manual to call attention to important information regarding personal safety, safety and preservation of the equipment, or important tips.



WARNING

Warning indicates a potentially dangerous situation which can result in bodily harm or death.



CAUTION

Caution indicates a potentially hazardous situation which can result in damage to product or equipment.

NOTE

Note indicates additional information that must be considered by the user or operator.

European Union CE Mark



The presence of the CE Mark on Newport Corporation equipment means that it has been designed, tested and certified as complying with all applicable European Union (CE) regulations and recommendations.

Warnings and Cautions



ATTENTION

This stage is a Class A device. In a residential environment, this device can cause electromagnetic interference. In this case, suitable measures must be taken by the user.

Warnings



WARNING

The motion of objects of all types carries potential risks for operators. Ensure the protection of operators by prohibiting access to the dangerous area and by informing the personnel of the potential risks involved.

WARNING

Do not use this Hexapod when struts are emitting smoke or is unusually hot to the touch or are emitting any unusual odor or noise or is in any other abnormal state.

Stop using the Hexapod immediately, switch off struts power and then disconnect the HXP controller from power supply.

After checking that smoke is no longer being emitted contact your Newport service facility and request repairs. Never attempt to repair the Hexapod yourself as this can be dangerous.

WARNING

Make sure that this Hexapod is not exposed to moisture and that liquid does not get into the Hexapod.

Nevertheless, if any liquid has entered the Hexapod, switch off struts power and then disconnect the HXP controller from power supply.

Contact your Newport service facility and request repairs.



WARNING

Do not insert or drop objects into this Hexapod, this may cause an electric shock, or lock the drive.

Do not use this Hexapod if any foreign objects have entered the Hexapod. Switch off struts power and then disconnect the HXP controller from power supply.

Contact your Newport service facility for repairs.

WARNING

Do not place this Hexapod in unstable locations such as on a wobbly table or sloping surface, where it may fall or tip over and cause injury.

If this Hexapod has been dropped or the case has been damaged, switch off struts power and then disconnect the HXP controller from power supply.

Contact your Newport service facility and request repairs.

WARNING

Do not attempt to modify this Hexapod; this may cause an electric shock or downgrade its performance.

WARNING

Do not exceed the usable depth indicated on the mounting holes (see section “Dimensions”). Longer screws can damage the mechanics or cause a short-circuit.

Caution

CAUTION

Do not place this Hexapod in a hostile environment such as X-Rays, hard UV,... or in any vacuum environment.

CAUTION

Do not use the top plate for handling. This may cause it to malfunction.

CAUTION

Do not manipulate struts. This may cause it to malfunction.

CAUTION

Do not use the Hexapod neither up side down nor horizontally.

CAUTION

Do not place this Hexapod in a location affected by dust, oil fumes, steam or high humidity. This may cause an electric shock.

CAUTION

Do not leave this Hexapod in places subject to extremely high temperatures or low temperatures. This may cause an electric shock.



- Operating temperature: +10 to +35 °C
 - Storage temperature: -10 to +40 °C (in its original packaging)
-

CAUTION

Do not move this Hexapod if struts power is on.

Make sure that the cable to the electronics is disconnected before moving the Hexapod. Failure to do so may damage the cable and cause an electrical shock.

CAUTION

Be careful that the Hexapod is not bumped when it is being carried. This may cause it to malfunction.

CAUTION

When handling this Hexapod, always unplug the equipment from the power source for safety.

CAUTION

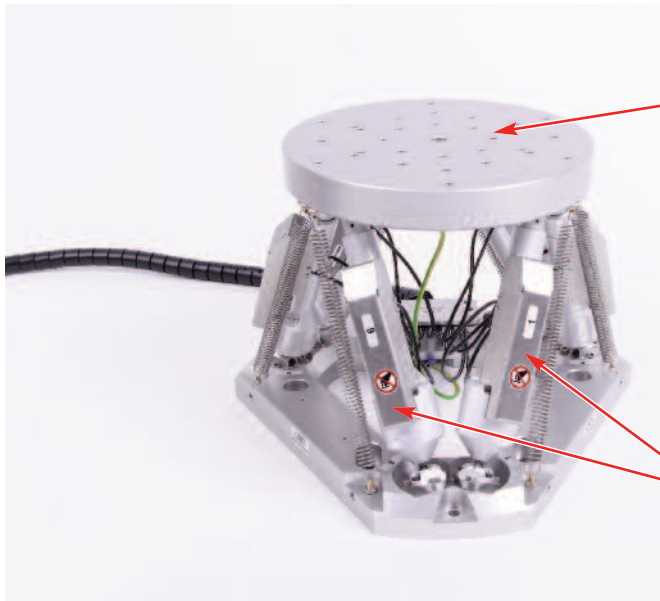
Contact your Newport service facility to request cleaning and specification control every year.

6-Axis-Parallel Kinematic Positioning Systems

HXP100P-MECA & HXP100PHA-MECA Hexapods

1.0 Introduction

This manual provides operating instructions for the Hexapod that you have purchased.



CAUTION
Do not use the top plate for handling.



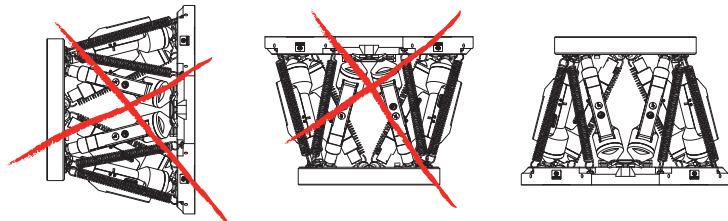
CAUTION
Do not manually turn struts.

CAUTION

Please read chapters 3.3 and 5.0 carefully before operating your Hexapod.

CAUTION

Do not use the HXP100P-MECA or HXP100PHA-MECA Hexapod neither up side down nor horizontally.



2.0 Description

The HXP100P-MECA 6-Axis Hexapod is a parallel kinematic motion device that provides six degrees of freedom: X, Y, Z, pitch, roll, and yaw. The HXP100 has long travel capability and is an effective solution to complex motion applications that demand accuracy in up to six independent axes. Contrary to the image of being complex and highly priced, the HXP100P-MECA hexapod is not only affordable but extremely easy to use. The HXP100P-MECA design also includes two programmable pivot points, enabling more flexibility to align a sample at a particular point or points of that sample. The HXP100P-MECA Series also takes advantage of the RightPath™ trajectory capability, enabling scanning in a path along a defined trajectory, line, arc or rotation, at a constant and definable speed with low-runout.

Derived from the HXP50-MECA, the HXP100P-MECA is driven by six DC servo motor actuators with encoder feedback at the leadscrew nut, providing precise MIM, low backlash and fast speed. The quality of the actuators has obviously a strong impact on the overall motion performance of the HXP100P-MECA, but of equal importance are the joints with which the actuators are attached to the base and the moving top plate. With size and rigidity in mind, our engineers came up with innovative spherical joints that are not only very simple, but also enhance the stiffness of the hexapod.

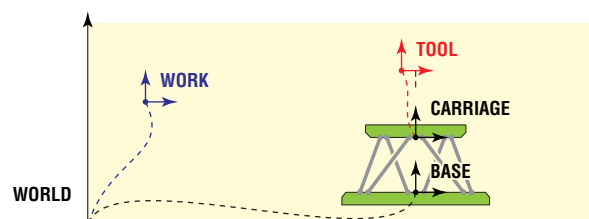
To further ensure positioning performance, the High Accuracy (HA) HXP100PHA-MECA is available with guaranteed accuracy values. This enables the use of a Newport Hexapod in positioning applications, where position accuracy is required. In addition to accuracy along an axis, the Pitch and Yaw deviations during axial motion are also monitored and guaranteed. When the HA Hexapod is used with RightPath™, this combination achieves positioning performance close to standard Newport stages.

The HXP100P-ELEC-D and HXP100PHA-ELEC-D provide advanced features including instrument grade I/O's, hardware based input triggers, event triggers, high-speed on-the-fly data acquisition, fast TCP/IP communication, and integrated TCL programming language for on-board processes. All these features improve accuracy and throughput, making the programmer's life much easier. Order the hexapod with the corresponding controller.

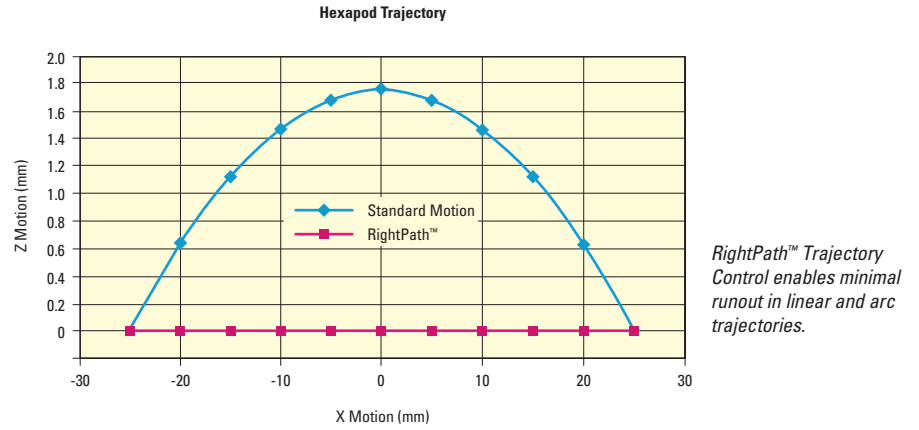
A common requirement for many Hexapod motion applications is a virtual pivot point, allowing the user to freely choose the point in space that is a pivot point for all rotations. The Newport Hexapod can not only relocate the pivot point, but through our advanced technology, the entire coordinate system can be relocated. In addition, two user-definable coordinate systems are provided, called tool (moves with the Hexapod) and work (stationary coordinate systems). Incremental displacements are possible in either one of these systems in user-friendly Cartesian coordinates, and positions can be easily calculated from one system to the other by a function call, without the need for complex external coordinate transformations.



As a standard feature, the HXP100P-ELEC-D and HXP100PHA-ELEC-D controllers allow the user to choose a virtual pivot point in space for all rotations.



Absolute moves and positions are defined in the work coordinate system. Incremental moves can be done in the tool or in the work coordinate systems.



Each hexapod (HA and non HA versions) is delivered with a dedicated controller. It is particularly important for the HXP100PHA-MECA hexapod to verify that it is connected to the appropriate HXP100PHA-ELEC-D as the controller includes the calibration performed on the hexapod (the Hexapod is linked with its own controller through its S/N).

3.0 Characteristics

3.1 Mechanical Specifications

	X	Y	Z	U (Rx)	V (Ry)	W (Rz)
Travel range ⁽¹⁾	±27.5 mm	±25 mm	±14 mm	±11.5°	±10.5°	±19°
Minimum Incremental Motion	0.1 µm	0.1 µm	0.05 µm	0.05 mdeg	0.05 mdeg	0.1 mdeg
Uni-directional repeatability, typical	±0.1 µm	±0.1 µm	0.05 µm	±0.05 mdeg	±0.05 mdeg	±0.1 mdeg
Bi-directional repeatability ⁽²⁾ , typical	±0.25 µm	±0.25 µm	±0.125 µm	±0.125 mdeg	±0.125 mdeg	±0.25 mdeg
Max. speed	12 mm/s	10 mm/s	5 mm/s	8 °/s	8 °/s	16 °/s
Rigidity	3 N/µm	3 N/µm	24 N/µm	–	–	–
Centered load capacity ⁽³⁾	60 N					

¹⁾ Travel ranges are interdependent. The listed values are max. travels per axis when all other axis are in their centered position.

²⁾ With standard compensation.

³⁾ For allowable cantilevered loads, refer to section 3.2: "Max. Cantilever Distance of the Load".

CAUTION



To reach specifications stated, stages must be fixed on a plane surface with a flatness of:

- 50 µm for the HXP100P-MECA version.
- 10 µm for the HXP100PHA-MECA version.

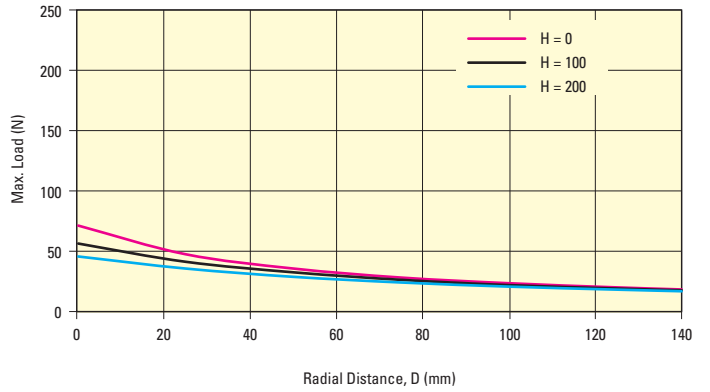
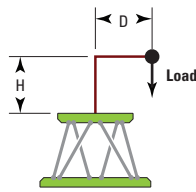
3.2 Guaranteed Specifications of the HXP100PHA-MECA Version



	X	Y	Z
Uni-directional repeatability	±0.15 µm	±0.15 µm	±0.075 µm
Bi-directional repeatability	±0.5 µm	±0.5 µm	±0.25 µm
Accuracy	±5 µm	±5 µm	±2.5 µm
Pitch	±37.5 µrad	±37.5 µrad	±37.5 µrad
Yaw	±37 µrad	±37 µrad	±37 µrad

3.3 Max. Cantilever Distance of the Load

Load Position: D = 0 to 140 mm; H = 0 to 200 mm



3.4 Weight

	Weight [lb (kg)]
Hexapod (without cables)	15.9 (7.2)
Cables	2.2 (1.0)

4.0 Connection to the HXP100P-ELEC-D or HXP100PHA-ELEC-D Controller

4.1 Warnings on Controllers

Controllers are intended for use by qualified personnel who recognize shock hazards and are familiar with safety precautions required to avoid possible injury. Read the controller user's manual carefully before operating the instrument and pay attention to all written warnings and cautions.

WARNING

Disconnect the power plug under the following circumstances:

- If the power cord or any attached cables are frayed or damaged in any way.
- If the power plug is damaged in any way.
- If the unit is exposed to rain, excessive moisture, or liquids are spilled on the unit.
- If the unit has been dropped or the case is damaged.
- If you suspect service or repair is required.
- Whenever you clean the electronics unit.

CAUTION

To protect the unit from damage, be sure to:

- Keep all air vents free of dirt and dust.
- Keep all liquids away from the unit.
- Do not expose the unit to excessive moisture (85% humidity).
- Read this manual before using the unit for the first time.



WARNING

All attachment plug receptacles in the vicinity of this unit are to be of the grounding type and properly polarized.

Contact your electrician to check your receptacles.

WARNING

This product is equipped with a 3-wire grounding type plug.

Any interruption of the grounding connection can create an electric shock hazard.

If you are unable to insert the plug into your wall plug receptacle, contact your electrician to perform the necessary alterations to ensure that the green (green-yellow) wire is attached to earth ground.

WARNING

This product operates with voltages that can be lethal.

Pushing objects of any kind into cabinet slots or holes, or spilling any liquid on the product, may touch hazardous voltage points or short out parts.

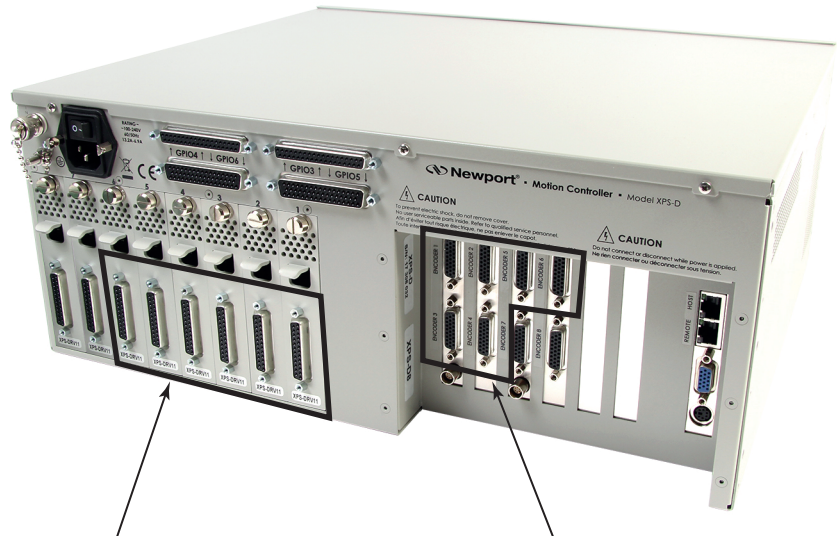
4.2 Connection



WARNING

Always turn the controller's power OFF before connecting to a strut.

Anytime prior to power-up, each strut must be connected with the supplied cables to the corresponding 2 plugs located at the rear panel of the HXP100P-ELEC-D controller. The SUB-D25 cable must be connected to the plug labeled “MOTOR”, the SUB-D26HD cable to the plug labeled “ENCODER”.



6 SUB-D25F CONNECTORS FOR MOTOR CABLES

6 SUB-D26HDF CONNECTORS FOR ENCODER CABLES

WARNING

Each Hexapod strut label corresponds to the axis number of its controller. This label is also indicated on connectors of the strut.



4.3 Cables

Each Hexapod is equipped with 3-meter cables (*) terminated with SUB-D25M connectors for motors and SUB-D26HDM connectors for encoders. These cables are directly connected to the controller.

(*) Length from actuators. Remove 0.35m when measuring from hexapod output.

There are two cables per strut: 12 cables total to connect to the corresponding plugs on the HXP100P-ELEC-D or HXP100PHA-ELEC-D controller.

CAUTION

Numbering of axes is important for both motor and encoder connections. A mismatch will cause fatal errors during initialization or unexpected hexapod motions.

WARNING

These cables are shielded correctly. For a correct operation, make sure to lock connectors (ground continuity provided by the cable).

**WARNING**

Keep the motor cables at a safe distance from other electrical cables in your environment to avoid potential cross talk.

NOTE

On each connector, a sticker indicates the home preset and backlash on the SUB-D25M connector, and the resolution on the SUB-D26HDM connector.

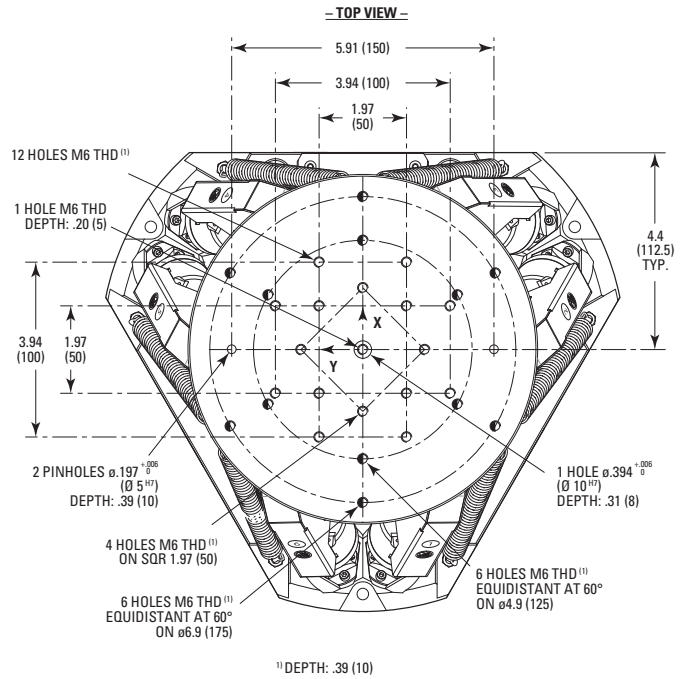
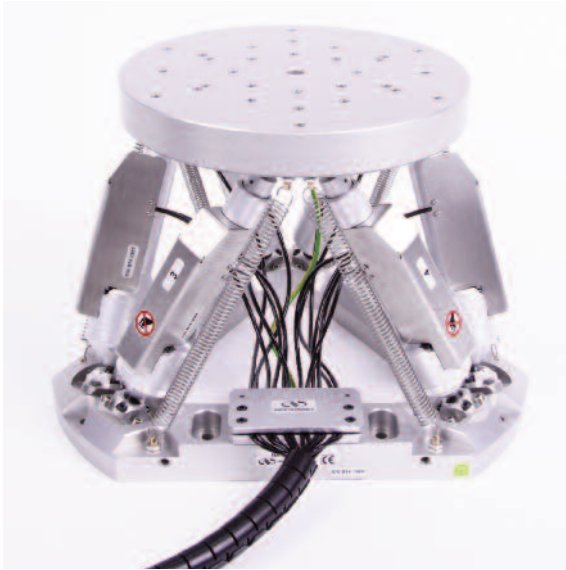


These parameters have to be set into the controller for each strut. This is done at our factory when the Hexapod is ordered with its own HXP100P-ELEC-D or HXP100P-ELEC-D controller.

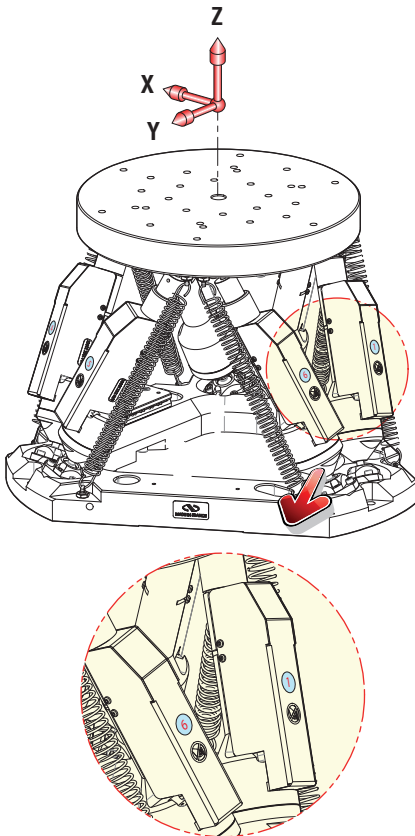
**WARNING**

These Hexapods must be grounded via a threaded hole to avoid electrical disturbances generated by ground loops.

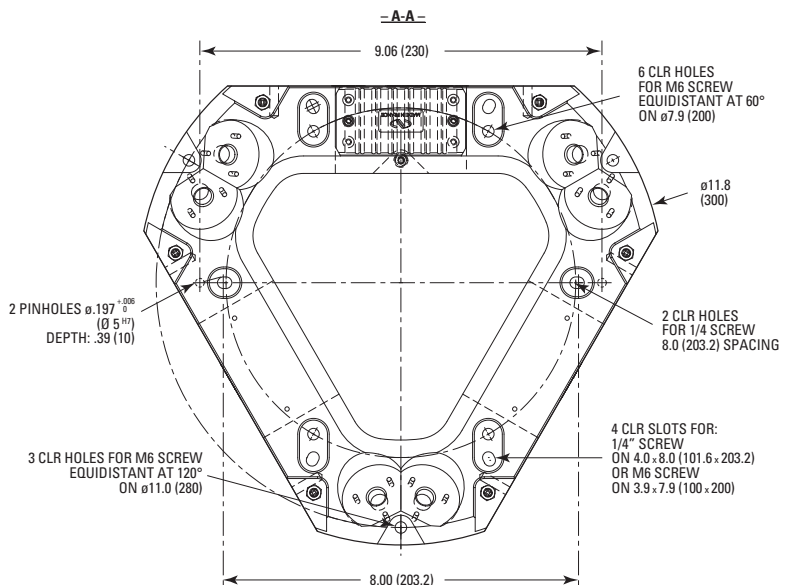
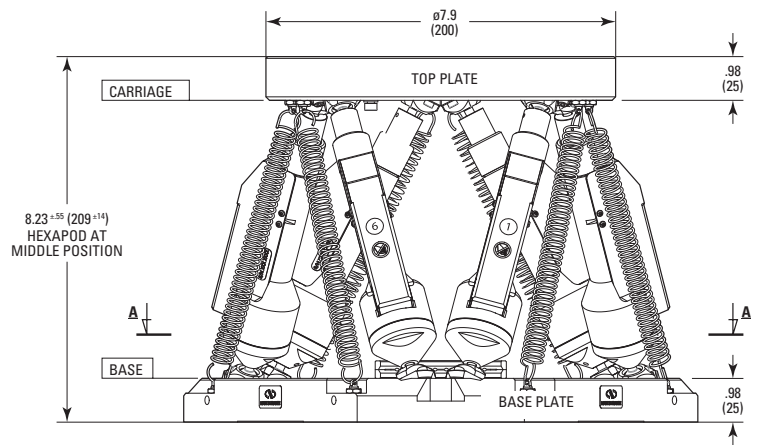
5.0 Dimensions



NOTE
The +X-axis points in the direction of the cable output between struts #3 and #4.



MODEL SHOWN: HXP100P-MECA
DIMENSIONS IN INCHES (AND MILLIMETERS)



NOTE

Top and base plates of the HXP100P-MECA and HXP100PHA-MECA Hexapod are made of anodized aluminum.

6.0 Maintenance

RECOMMENDATION

Please contact Technical Sales Support team for recommendations on application specific maintenance.

6.1 Maintenance

The Hexapod requires no particular maintenance. Nevertheless, this is a precision mechanical device that must be kept and operated with caution.

PRECAUTIONS

The Hexapod must be used or stocked in a clean environment, without dust, humidity, solvents or other substances.

RECOMMENDATION

It is recommended to return the Hexapod to Newport for re-lubrication after 2000 hours of use.

If the HXP100P-MECA is mounted on a workstation and cannot be easily removed, please contact Newport's After Sales Service for further instructions.

6.2 Repair

CAUTION



Never attempt to disassemble a component of the Hexapod that has not been covered in this manual.

To disassemble a non specified component can cause a malfunction of the stage.

If you observe a malfunction in your Hexapod, please contact us immediately to arrange for a repair.



CAUTION

Any attempt to disassemble or repair a Hexapod without prior authorization will void your warranty.

Service Form

Your Local Representative

Tel.: _____

Fax: _____

Name: _____

Company: _____

Address: _____

Country: _____

P.O. Number: _____

Return authorization #: _____

(Please obtain prior to return of item)

Date: _____

Phone Number: _____

Fax Number: _____

Item(s) Being Returned:

Model #: _____

Serial #: _____

Description: _____

Reasons of return of goods (please list any specific problems): _____



Visit Newport Online at:
www.newport.com

North America & Asia

Newport Corporation
1791 Deere Ave.
Irvine, CA 92606, USA

Sales

Tel.: (800) 222-6440
e-mail: sales@newport.com

Technical Support

Tel.: (800) 222-6440
e-mail: tech@newport.com

Service, RMAs & Returns

Tel.: (800) 222-6440
e-mail: service@newport.com

Europe

MICRO-CONTROLE Spectra-Physics S.A.S
9, rue du Bois Sauvage
91055 Évry CEDEX
France

Sales & Technical Support

Tel.: +33 (0)1.60.91.68.68
e-mail: france@newport.com

Service & Returns

Tel.: +33 (0)2.38.40.51.55

