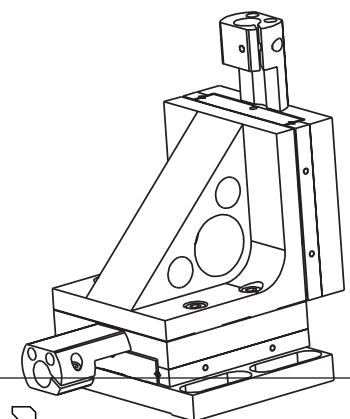
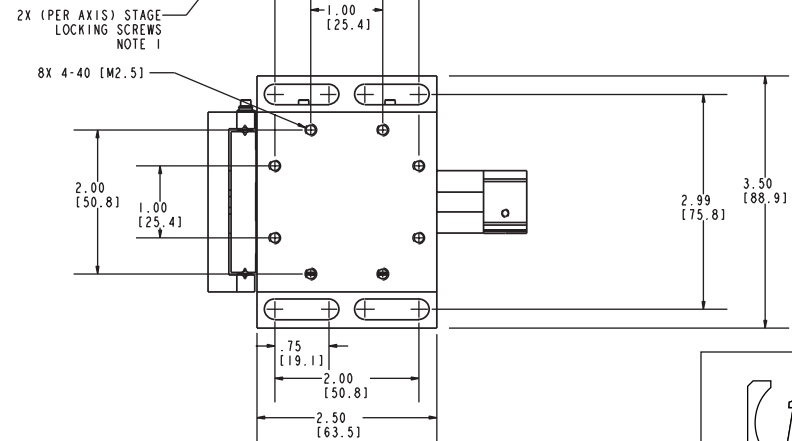
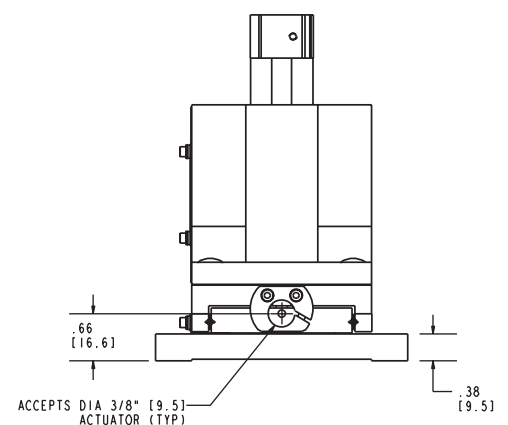
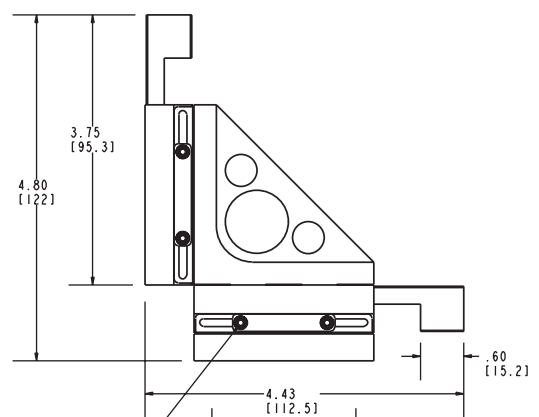
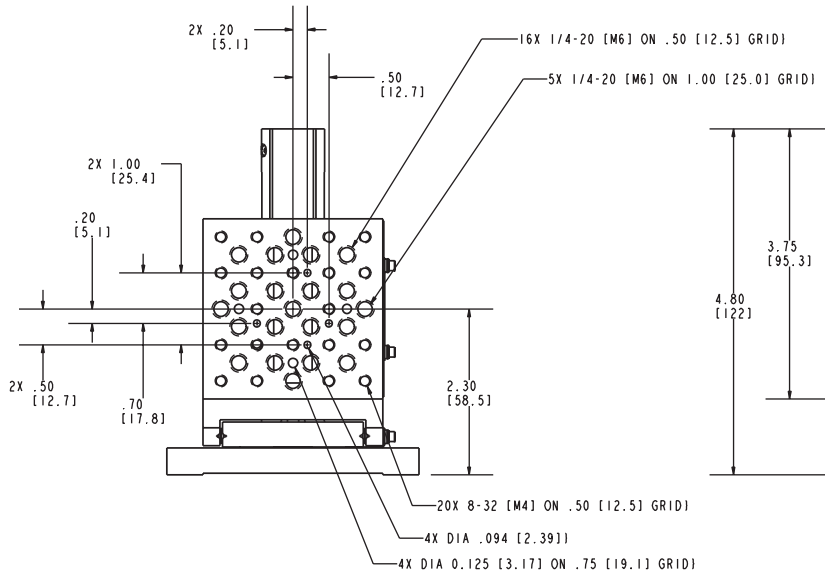


NOTES:
1) ACCEPTS 5/64 [2] ALLEN WRENCH



 New Focus™

Unless otherwise noted, dimensions are in inches with metric dimensions in mm in brackets