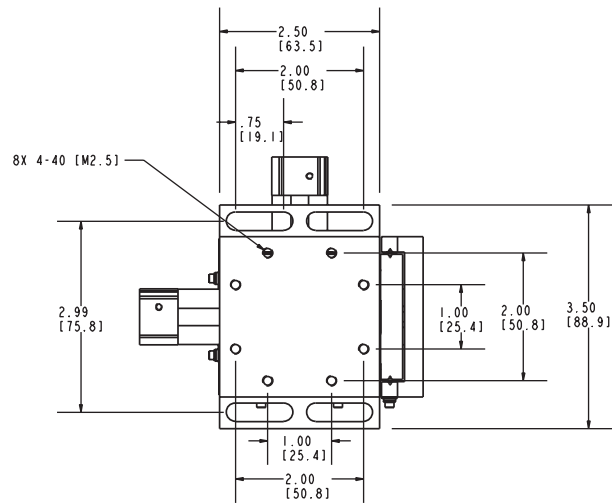
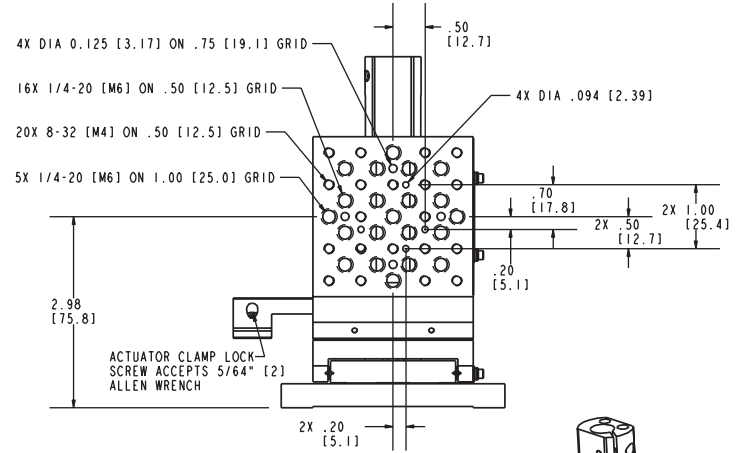
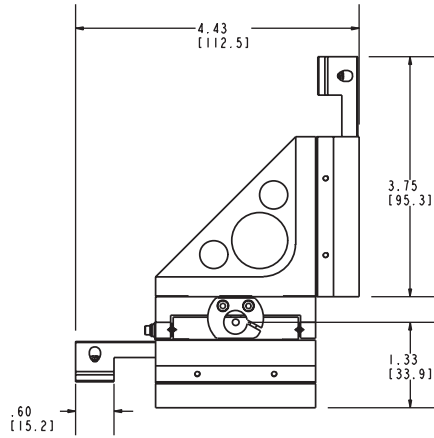
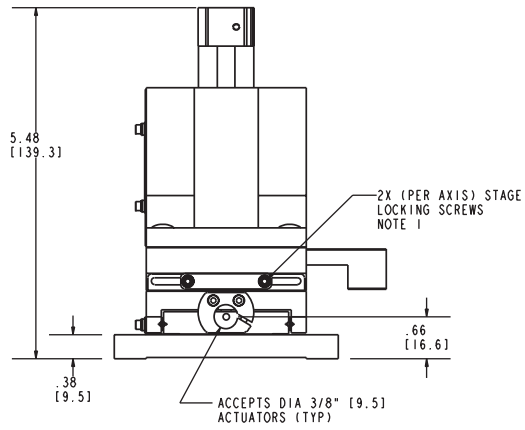
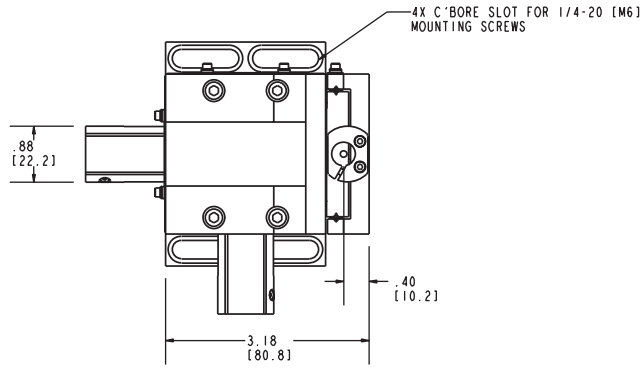
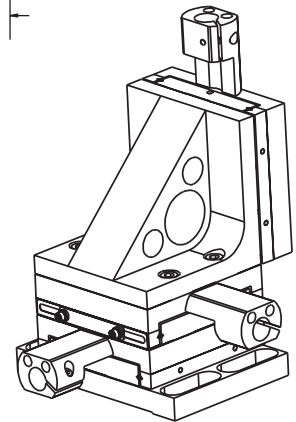


NOTES:
 1) ACCEPTS 5/64 [2] ALLEN WRENCH



Unless otherwise noted, dimensions are in inches with metric dimensions in mm in brackets



[V] New Focus™