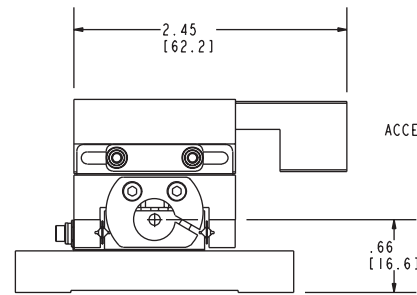
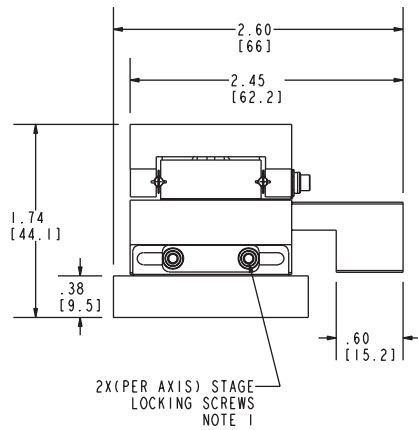
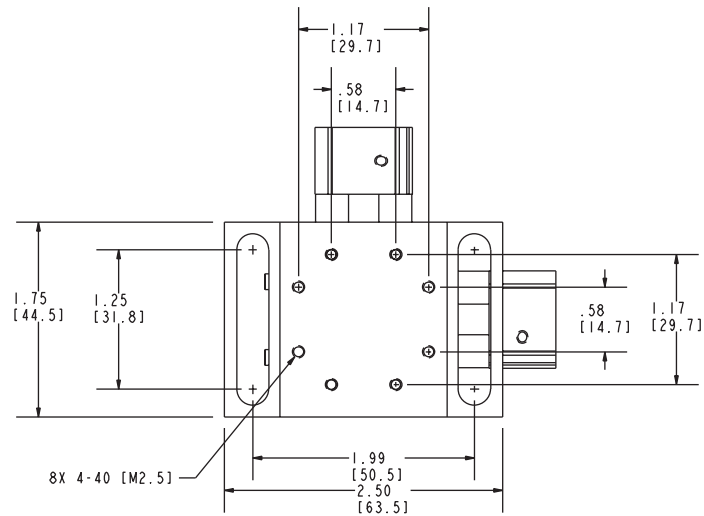
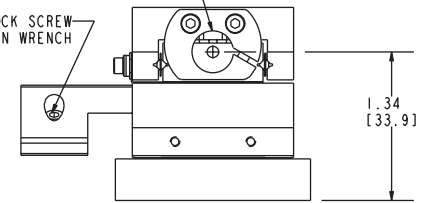


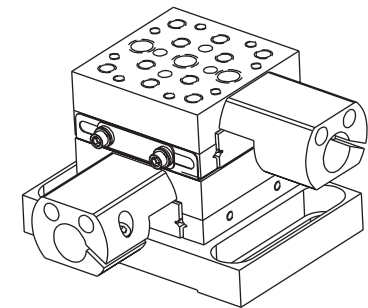
NOTES:  
 1) ACCEPTS 5/64 [2] ALLEN WRENCH



ACCEPTS DIA 3/8" [9.5] ACTUATORS (TYP)  
 ACTUATOR CLAMP LOCK SCREW  
 ACCEPTS 5/64" [2] ALLEN WRENCH



Unless otherwise noted, dimensions are in inches with metric dimensions in mm in brackets



**[V] New Focus™**