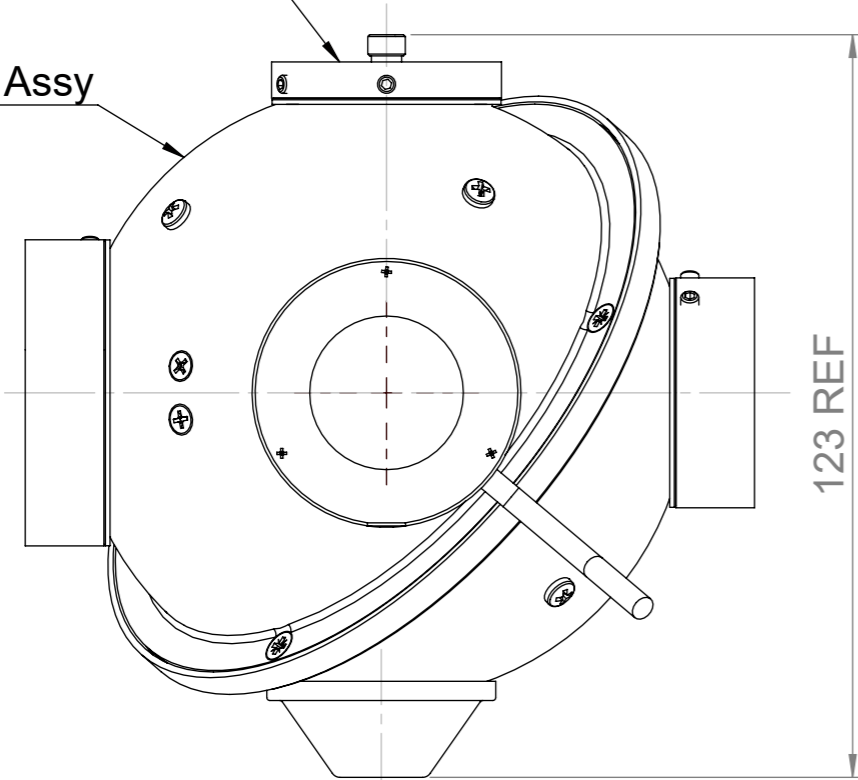
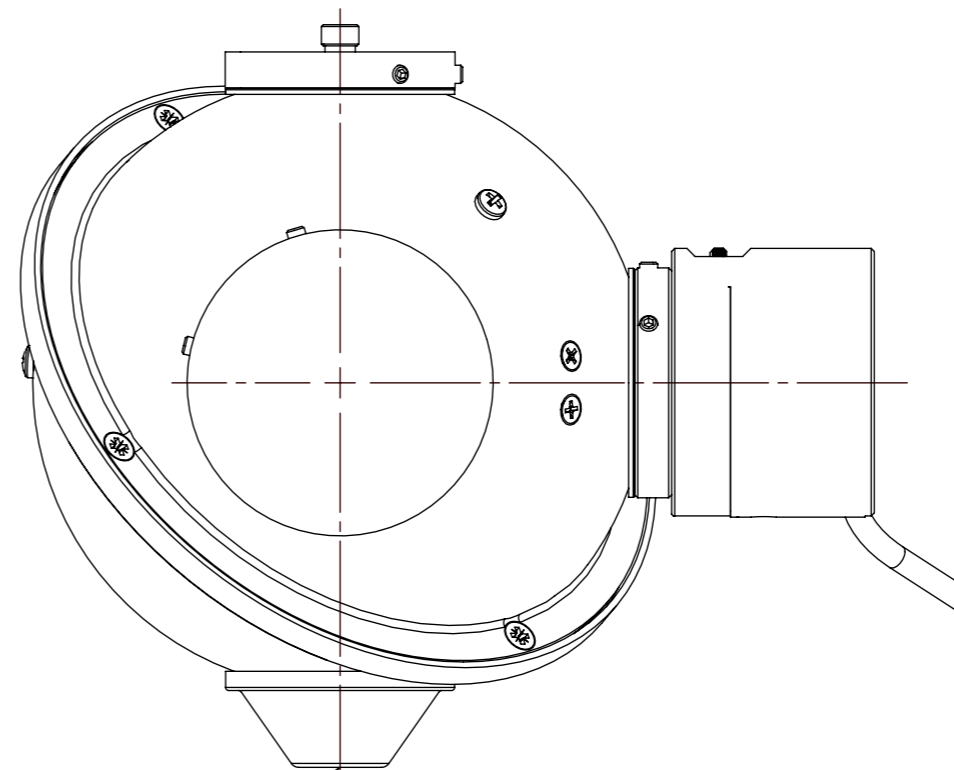


IS- ϕ 1" Port
SMA-F.O Adaptor

IS3.3-Sub Assy

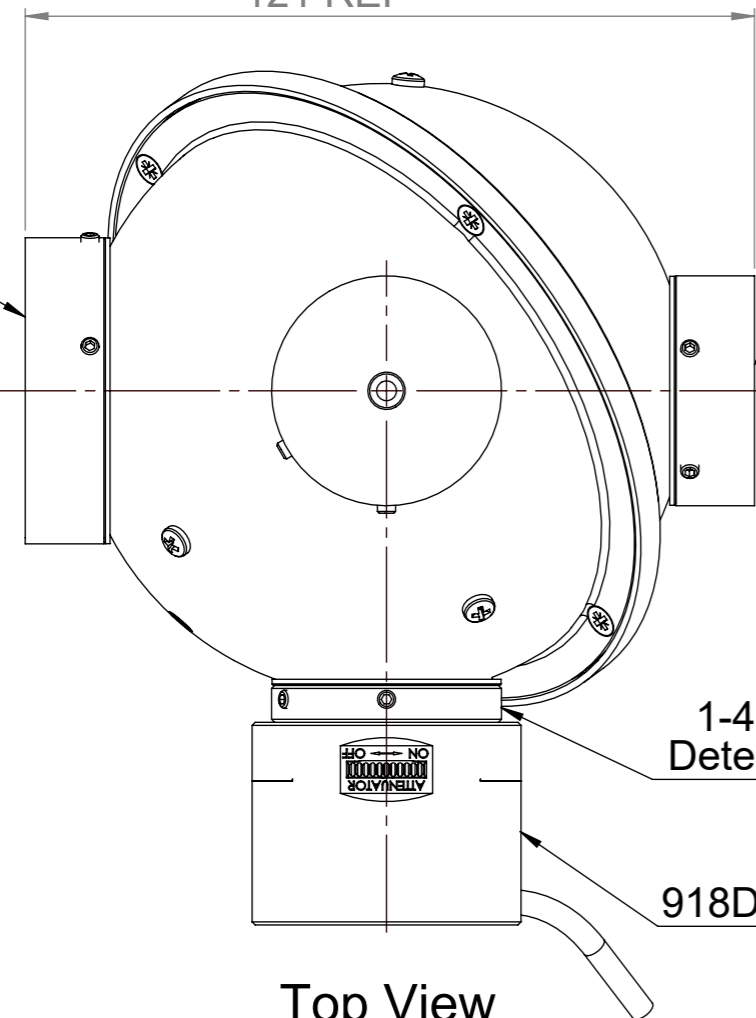


Front View



Side View

121 REF



IS- ϕ 1.5" Port
Port Plug

IS- ϕ 1" Port
 ϕ 1" Port Cover

1-40 UNS-2A,
Detector Adaptor

918D-SL-OD1R, Sensor

Top View