

Super Agilis Series

CONEX-SAG Controller
with SAG-LSxx Linear Stages



The CONEX-SAG-LSxx is a fast piezo motor linear stage integrated with an open-loop piezo motor controller/driver. For out-of-the box control, the CONEX-SAG controller is preconfigured and delivered with a Super Agilis SAG-LSxx linear stage.

The CONEX-SAG is a very compact and inexpensive single axis motion controller/driver. The controller comes with the familiar CONEX GUI, simple and intuitive to use and conveniently accessible via USB, which also supplies power to the controller.

The linear stages of the CONEX-SAG-LSxx is based on

the Super Agilis SAG-LSxx linear stages, which have a very small footprint while delivering sub-micron precision motion. Like the controller, the linear stages are very compact with a low profile, 12 mm, but are capable of 16, 32 and 48 mm travel, and 100 nm MIM. The stages are also designed to easily stack as XY stage, without requiring an adapter plate, resulting in only 24 mm height.

Specifications

	CONEX-SAG-LS16	CONEX-SAG-LS32	CONEX-SAG-LS48
Travel Range (mm)	16	32	48
Maximum Speed (mm/s)		>10	
Material	Stainless Steel		
Centered Load Capacity (N)	20	30	30
Axial/Vertical Load Capacity (N)		2	
Holding Force (N)		3	
Minimum Incremental Motion (nm)		100	
Cable Length (m)		1.5	
Limit Switches	Not Available		
Operating Temperature (°C)		10 to 35	
Weight, Without Cable (g)	65	93	127



CAUTION

To reach specifications stated, stages must be fixed on a plane with 2 um flatness surface or use SAG-BP1 plate.

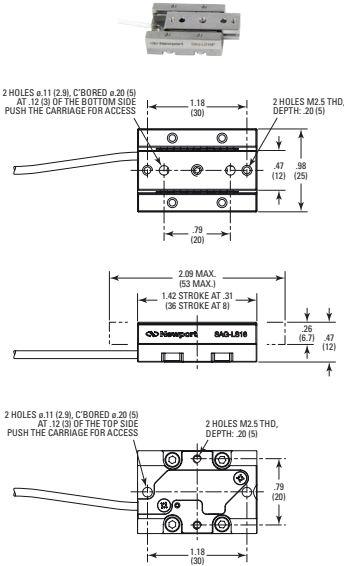


Key Features

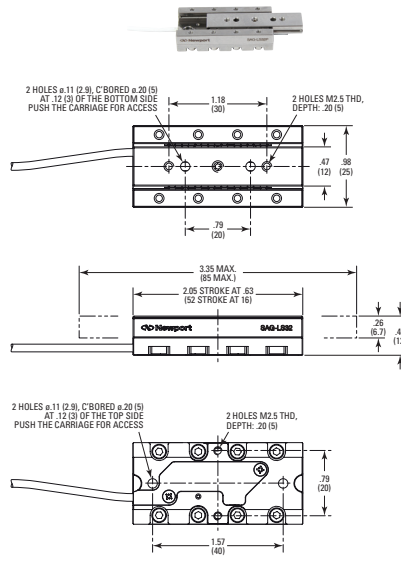
- Fast: >10 mm/s
- Compact size
- Only 24 mm height for XY stack
- Easy to stack
- Stainless steel parts
- Integrated and easy to setup
- Easy to use GUI
- USB Plug-and-play communication: Optional RS-232 and RS-485

Dimensional Drawings

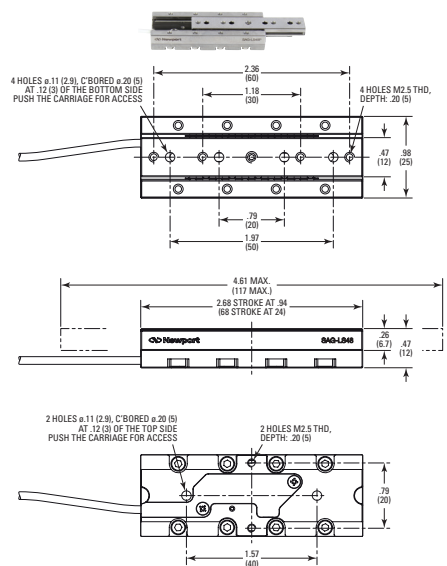
CONEX-SAG-LS16 (Stage)



CONEX-SAG-LS32 (Stage)



CONEX-SAG-LS42 (Stage)



Ordering Information

Stages	Code
CONEX-SAG-LS16	Linear piezo stage integrated with Conex controller, 16 mm, open loop
CONEX-SAG-LS32	Linear piezo stage integrated with Conex controller, 32 mm, open loop
CONEX-SAG-LS48	Linear piezo stage integrated with Conex controller, 48 mm, open loop
Accessories	
CONEX-BP	Base Plate, Mounts Multiple CONEX Controllers
SAG-BP1*	Slotted Based Plate, Conex-SAG series
SAG-AB90-16	90 Degree Angle Bracket, Conex-SAG Series
CONEX-PS	Power Supply, 24 VDC, Conex Motion Controller

CONEX-SAG -LSxx (Controller)

