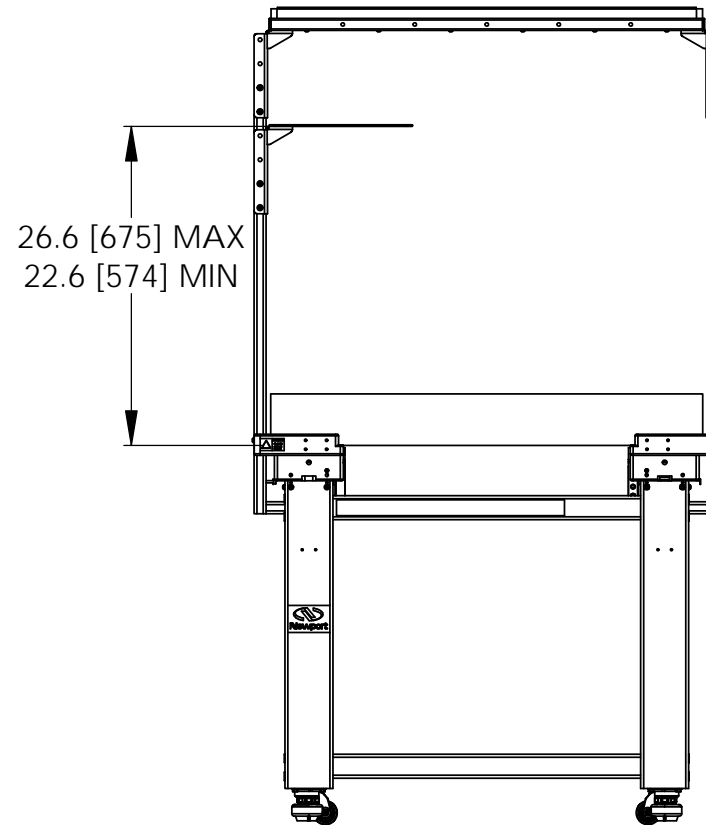
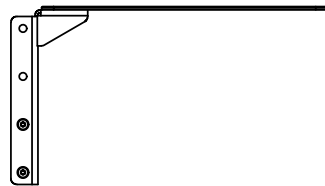
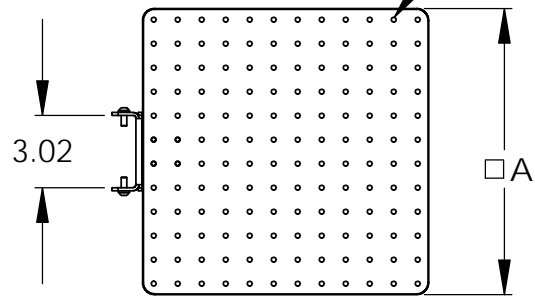


VIS-LS-P-11: 1/4-20 @ 1 IN DISTANCE TYP
 M-VIS-P-11: M6 @ 25 mm DISTANCE TYP



PART NUMBER	A in [mm]
VIS-LS-P-11	11.9 [303]
M-VIS-LS-P-11	11.7 [298]

NOTES:

1. DIMS IN [] ARE IN mm



SIZE A	CAGE CODE	DWG NO.	REV XA
SCALE 1:1	FILE NAME VIS-LS-P-11 OUTLINE	SHT 2 OF 3	

SIZE A	CAGE CODE	DWG NO.	REV XA
SCALE 1:1	FILE NAME VIS-LS-P-11 OUTLINE	SHT 3 OF 3	