

**STABILIZED HELIUM NEON LASER SYSTEM
MODEL: N-STP-910**

OUTPUT SPECIFICATIONS

Minimum CW Power Output (mW)	0.50
Center Wavelength in Vacuum (nm)	632.991420
Beam Diameter at 1/e ² (mm)	0.48
Beam Divergence (mrad)	1.70
Transverse Mode	> 99% TEM ₀₀
Polarization	Linear > 500:1
Warm-up Time, Frequency Lock (minutes)	< 10
Amplitude Noise, 30 Hz to 10 MHz (RMS)	0.1%
Frequency Tunability Range, Blue Side (MHz)	400 - 600
Amplitude Tunability Range, typical (mW)	0.35 - 0.70

Coherence Length:	
1 HOUR (METERS)	> 300
8 HOURS (METERS)	> 30
1 MONTH (METERS)	> 30

AMPLITUDE STABILITY:	
1 HOUR (%)	± 0.1
8 HOURS (%)	± 0.1
1 MONTH (%)	± 0.2

FREQUENCY STABILITY:	
1 HOUR (MHz)	< ± 5
8 HOURS (MHz)	± 7
1 MONTH (MHz)	± 10

ELECTRICAL SPECIFICATIONS

Start Voltage (kVDC) W	<10	-
Operating Voltage (VDC)	1220 ± 100	80 to 260 VAC @ 47 – 63 Hz
Operating Current (mA)	4.0 ± 0.2	1.2/115VAC 0.6/230VAC

SINGLE FREQUENCY ADAPTER (SFA) ELECTRICAL SPECIFICATIONS

Input Voltage (VDC)	12.0
Input Current (A)	2.0



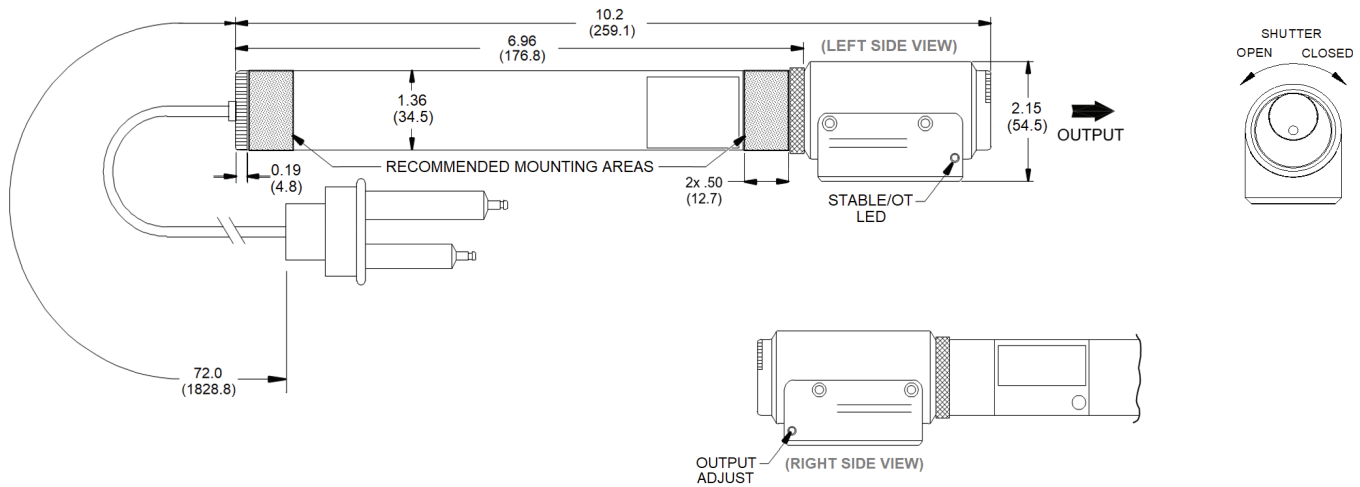
ENVIRONMENTAL SPECIFICATIONS	OPERATING	NON-OPERATING
Temperature (°C)	15 to +35	-20 to +80
Relative Humidity (% , non-condensing)	0 to 90	0 to 90

REGULATORY COMPLIANCE*

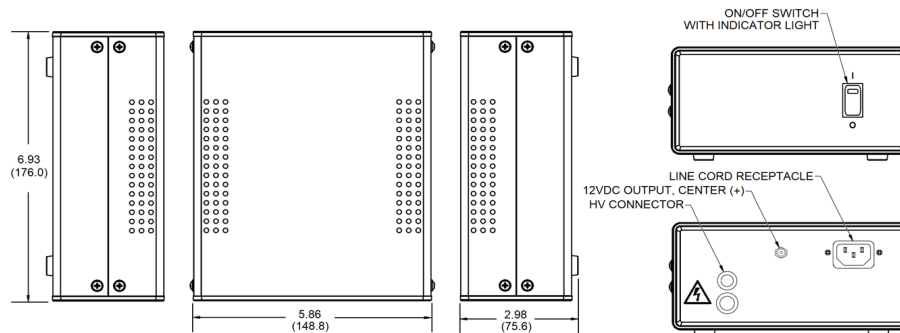
Laser Safety	IEC 60825-1:2014
Electrical Safety	IEC 61010-1:2010 + A1
Certifying Body	TUV Rheinland
RoHS 3	EU 2015/863
Product Markings	cTUVus, CE, UKCA, WEEE

* See separate compliance statement for further information.

Laser Head



Power Supply



Additional power supply specifications available on request.

LASER CLASSIFICATION

US 21 CFR 1040.10	Compliant	Class II
IEC 60825-1:2014	Compliant	Class 2
US FDA Accession Number		9320815

EXPORT INFORMATION

ECCN	EAR99	EAR99
HTTS	9013.20.0000	8504.40.9510
Country of Origin	United States	United States

THESE PRODUCTS ARE SOLD IN ACCORDANCE WITH UNITED STATES EXPORT ADMINISTRATION REGULATIONS. DIVERSION CONTRARY TO U.S. LAWS IS PROHIBITED.

Information contained herein is for reference only and subject to change without notice.

