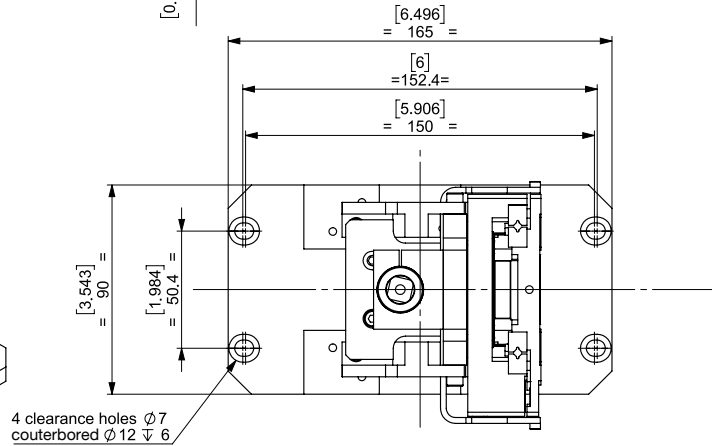
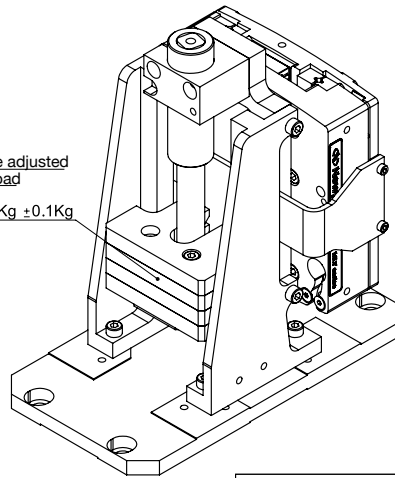


⚠  
Number of countermass to be adjusted according to the carried payload  
Each countermass = 0.1Kg  
Payload + countermass = 0.5Kg  $\pm 0.1$ Kg



Model	A	B
	Stage interface from bottom	Stage total height
MLT25-Z	91.5 $\pm 12.5$ [3.6 $\pm 0.49$ ]	174.5 $\pm 15/0$ [6.87 $\pm 0.6/0$ ]
MLT50-Z	106 $\pm 25$ [4.17 $\pm 0.98$ ]	201 $\pm 18/0$ [7.91 $\pm 0.71/0$ ]